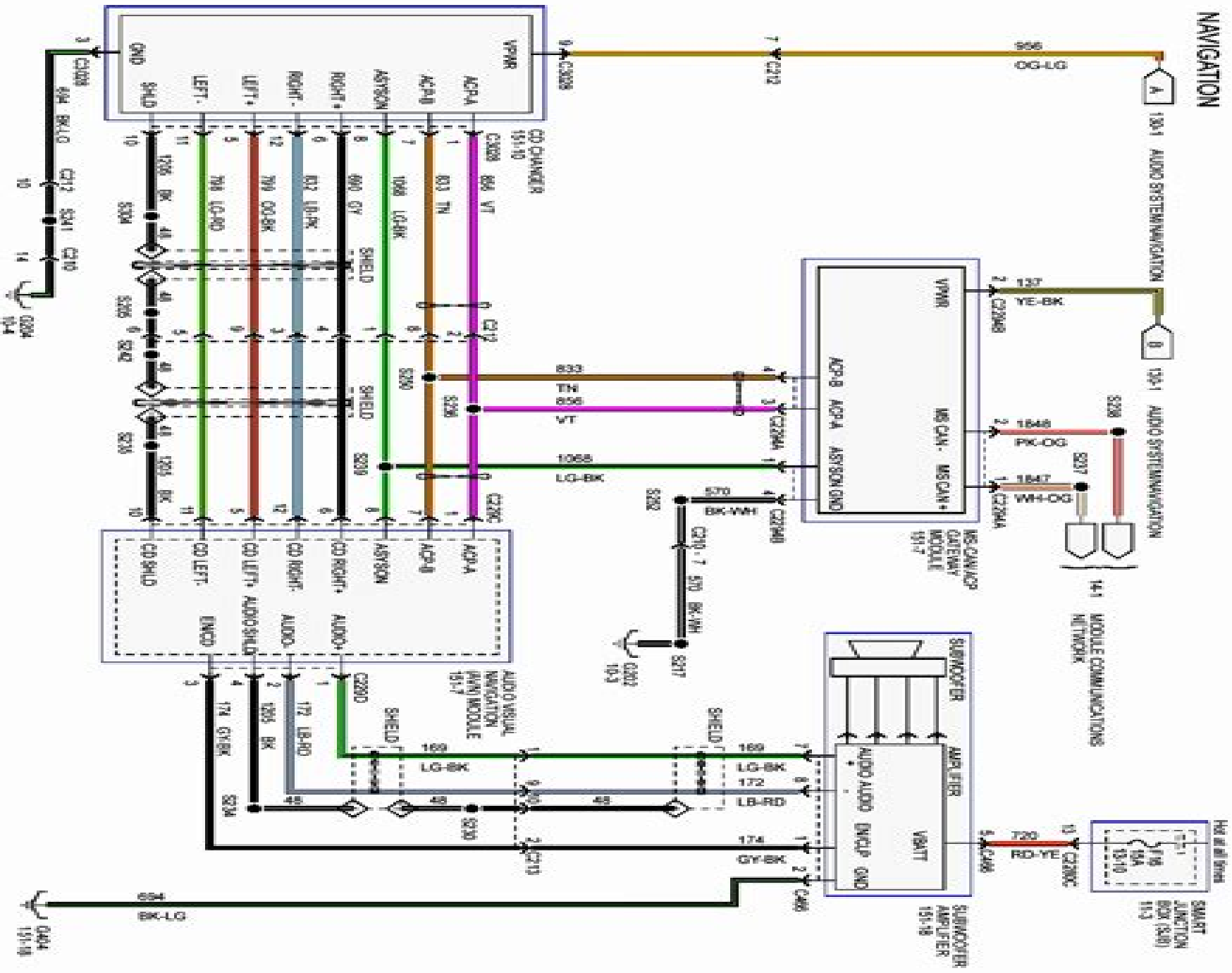


NAVIGATION



2006 Ford Taurus Wiring Diagrams

Ken Layne



2006 Ford Taurus Wiring Diagrams

2001 Ford Taurus/Sable Ford Motor Company,2000

1993 Car Wiring Diagrams Ford Motor Company. Parts and Service Division. Training and Publications Department,1992

Ford Taurus & Mercury Sable Automotive Repair Manual Ken Layne,John Harold Haynes,Haynes,2001 Inside this manual the reader will learn to do routine maintenance tune up procedures engine repair along with aspects of your car such as cooling and heating air conditioning fuel and exhaust emissions control ignition brakes suspension and steering electrical systems wiring diagrams Covers all models 1996 through 2001

Taurus Sable 1999 Wiring Diagrams ,1998

1994 Car Wiring Diagrams Ford Motor Company. Parts and Service Division. Training and Publications Department,1993

Ford Taurus (2008 thru 2014) & Five Hundred (2005 thru 2007) Editors of Haynes Manuals,2015-06-15 Complete coverage for your Ford Taurus 08 14 Five Hundred 05 07 and Mercury Montego 05 07 Sable 08 09 Does not include information specific to 3 5L twin turbo models or police models Routine maintenance Tune up procedures Engine repair Cooling and heating Air conditioning Fuel and exhaust Emissions control Ignition Brakes Suspension and steering Electrical systems Wiring diagrams With a Haynes manual you can do it yourself from simple maintenance to basic repairs Haynes writes every book based on a complete teardown of the vehicle We learn the best ways to do a job and that makes it quicker easier and cheaper for you Our books have clear instructions and hundreds of photographs that show each step Whether you re a beginner or a pro you can save big with Haynes Step by step procedures Easy to follow photos Complete troubleshooting section Valuable short cuts Color spark plug diagnosis

Ford Taurus & Mercury Sable 1996 thru 2007 Ken Layne,2015-05-18 Complete coverage for your Ford Taurus and Mercury Sable for 1996 thru 2007 Does not include information specific to SHO or E85 vehicles Routine Maintenance Tune up procedures Engine repair Cooling and heating Air Conditioning Fuel and exhaust Emissions control Ignition Brakes Suspension and steering Electrical systems Wiring diagrams With a Haynes manual you can do it yourself from simple maintenance to basic repairs Haynes writes every book based on a complete teardown of the vehicle We learn the best ways to do a job and that makes it quicker easier and cheaper for you Our books have clear instructions and hundreds of photographs that show each step Whether you re a beginner or a pro you can save big with Haynes Step by step procedures Easy to follow photos Complete troubleshooting section Valuable short cuts Color spark plug diagnosis

Ford Taurus (2008 thru 2014) & Five Hundred (2005 thru 2007) Editors of Haynes Manuals,2015-06-15 Complete coverage for your Ford Taurus 08 14 Five Hundred 05 07 and Mercury Montego 05 07 Sable 08 09 Does not include information specific to 3 5L twin turbo models or police models Routine maintenance Tune up procedures Engine repair Cooling and heating Air conditioning Fuel and exhaust Emissions control Ignition Brakes Suspension and steering Electrical systems Wiring diagrams With a Haynes manual you can do it yourself from simple maintenance to basic repairs Haynes writes every book based on a complete teardown of the vehicle We learn the best ways to do a job and that makes it quicker easier and cheaper for you Our books have clear instructions and hundreds of photographs that show each step Whether you re a beginner or a pro you can save big with Haynes Step by step procedures Easy to follow photos Complete troubleshooting section Valuable short cuts Color spark plug diagnosis

Ford Taurus and Mercury Sable Bob Henderson,J. H. Haynes,1992

Ford Truck Wiring Diagrams Ford Motor Co,1975

Ka Repair Manual Wiring Diagrams ,1996

Ford Wiring Diagrams ,1980

Boyce's Wiring Diagram Manual: Ford - AU Falcon, Ford - AU Falcon Series II, Holden - VT Commodore ,2001

Ford Taurus & Five Hundred 2005-14 Repair Manual Editors of Haynes Manuals,2015-06-15 Complete coverage for your Taurus 2008 14 Five Hundred 2005 07 Montego 2005 07 Sable 2008 09 Does not include information specific to 3 5L twin turbo or police models General Information Routine Maintenance Tune up Engine and Engine Overhaul Driveability and Emission Controls Trouble Codes Diagnostics Fuel System Chassis Electrical Drive Train Suspension Steering Chilton Total Car Care series offers do it yourselfers of all levels TOTAL maintenance service and repair information in an easy to use format The Ford Taurus and Five Hundred Mercury Montego and Sable Chilton Repair Manual covering Taurus 2008 14 Five Hundred 2005 07 Montego 2005 07 and Sable 2008 09 Does not include information specific to 3 5L twin turbo or police models includes these great features Model specific coverage Simple step by step procedures for engine overhaul chassis electrical drive train suspension steering and more Trouble codes Electronic engine controls

1989 Car Wiring Diagrams, Lincoln Continental Ford Motor Company,1988

1989 Car Wiring Diagrams, Lincoln Mark VII Ford Motor Company,1988

Ford Taurus & Mercury Sable Automotive Repair Manual Ken Freund,John Harold Haynes,2004

Transit '95 Repair Manual Wiring Diagrams ,1995

2001 Ford Escape Ford Motor Company,2000

2001 Ford Excursion/F-super Duty F-250-550 Ford Motor Company,2000

Getting the books **2006 Ford Taurus Wiring Diagrams** now is not type of challenging means. You could not and no-one else going following ebook gathering or library or borrowing from your associates to right to use them. This is an totally easy means to specifically get guide by on-line. This online pronouncement 2006 Ford Taurus Wiring Diagrams can be one of the options to accompany you subsequently having new time.

It will not waste your time. resign yourself to me, the e-book will very song you other thing to read. Just invest little times to entrance this on-line publication **2006 Ford Taurus Wiring Diagrams** as with ease as evaluation them wherever you are now.

Table of Contents 2006 Ford Taurus Wiring Diagrams

1. Understanding the eBook 2006 Ford Taurus Wiring Diagrams
 - The Rise of Digital Reading 2006 Ford Taurus Wiring Diagrams
 - Advantages of eBooks Over Traditional Books
2. Identifying 2006 Ford Taurus Wiring Diagrams
 - Exploring Different Genres
 - Considering Fiction vs. Non-Fiction
 - Determining Your Reading Goals
3. Choosing the Right eBook Platform
 - Popular eBook Platforms
 - Features to Look for in an 2006 Ford Taurus Wiring Diagrams
 - User-Friendly Interface
4. Exploring eBook Recommendations from 2006 Ford Taurus Wiring Diagrams
 - Personalized Recommendations
 - 2006 Ford Taurus Wiring Diagrams User Reviews and Ratings
 - 2006 Ford Taurus Wiring Diagrams and Bestseller Lists
5. Accessing 2006 Ford Taurus Wiring Diagrams Free and Paid eBooks
 - 2006 Ford Taurus Wiring Diagrams Public Domain eBooks
 - 2006 Ford Taurus Wiring Diagrams eBook Subscription Services
 - 2006 Ford Taurus Wiring Diagrams Budget-Friendly Options

6. Navigating 2006 Ford Taurus Wiring Diagrams eBook Formats
 - ePub, PDF, MOBI, and More
 - 2006 Ford Taurus Wiring Diagrams Compatibility with Devices
 - 2006 Ford Taurus Wiring Diagrams Enhanced eBook Features
7. Enhancing Your Reading Experience
 - Adjustable Fonts and Text Sizes of 2006 Ford Taurus Wiring Diagrams
 - Highlighting and Note-Taking 2006 Ford Taurus Wiring Diagrams
 - Interactive Elements 2006 Ford Taurus Wiring Diagrams
8. Staying Engaged with 2006 Ford Taurus Wiring Diagrams
 - Joining Online Reading Communities
 - Participating in Virtual Book Clubs
 - Following Authors and Publishers 2006 Ford Taurus Wiring Diagrams
9. Balancing eBooks and Physical Books 2006 Ford Taurus Wiring Diagrams
 - Benefits of a Digital Library
 - Creating a Diverse Reading Collection 2006 Ford Taurus Wiring Diagrams
10. Overcoming Reading Challenges
 - Dealing with Digital Eye Strain
 - Minimizing Distractions
 - Managing Screen Time
11. Cultivating a Reading Routine 2006 Ford Taurus Wiring Diagrams
 - Setting Reading Goals 2006 Ford Taurus Wiring Diagrams
 - Carving Out Dedicated Reading Time
12. Sourcing Reliable Information of 2006 Ford Taurus Wiring Diagrams
 - Fact-Checking eBook Content of 2006 Ford Taurus Wiring Diagrams
 - Distinguishing Credible Sources
13. Promoting Lifelong Learning
 - Utilizing eBooks for Skill Development
 - Exploring Educational eBooks
14. Embracing eBook Trends
 - Integration of Multimedia Elements

- Interactive and Gamified eBooks

2006 Ford Taurus Wiring Diagrams Introduction

In this digital age, the convenience of accessing information at our fingertips has become a necessity. Whether its research papers, eBooks, or user manuals, PDF files have become the preferred format for sharing and reading documents. However, the cost associated with purchasing PDF files can sometimes be a barrier for many individuals and organizations. Thankfully, there are numerous websites and platforms that allow users to download free PDF files legally. In this article, we will explore some of the best platforms to download free PDFs. One of the most popular platforms to download free PDF files is Project Gutenberg. This online library offers over 60,000 free eBooks that are in the public domain. From classic literature to historical documents, Project Gutenberg provides a wide range of PDF files that can be downloaded and enjoyed on various devices. The website is user-friendly and allows users to search for specific titles or browse through different categories. Another reliable platform for downloading 2006 Ford Taurus Wiring Diagrams free PDF files is Open Library. With its vast collection of over 1 million eBooks, Open Library has something for every reader. The website offers a seamless experience by providing options to borrow or download PDF files. Users simply need to create a free account to access this treasure trove of knowledge. Open Library also allows users to contribute by uploading and sharing their own PDF files, making it a collaborative platform for book enthusiasts. For those interested in academic resources, there are websites dedicated to providing free PDFs of research papers and scientific articles. One such website is Academia.edu, which allows researchers and scholars to share their work with a global audience. Users can download PDF files of research papers, theses, and dissertations covering a wide range of subjects. Academia.edu also provides a platform for discussions and networking within the academic community. When it comes to downloading 2006 Ford Taurus Wiring Diagrams free PDF files of magazines, brochures, and catalogs, Issuu is a popular choice. This digital publishing platform hosts a vast collection of publications from around the world. Users can search for specific titles or explore various categories and genres. Issuu offers a seamless reading experience with its user-friendly interface and allows users to download PDF files for offline reading. Apart from dedicated platforms, search engines also play a crucial role in finding free PDF files. Google, for instance, has an advanced search feature that allows users to filter results by file type. By specifying the file type as "PDF," users can find websites that offer free PDF downloads on a specific topic. While downloading 2006 Ford Taurus Wiring Diagrams free PDF files is convenient, its important to note that copyright laws must be respected. Always ensure that the PDF files you download are legally available for free. Many authors and publishers voluntarily provide free PDF versions of their work, but its essential to be cautious and verify the authenticity of the source before downloading 2006 Ford Taurus Wiring Diagrams. In conclusion, the internet offers numerous platforms and websites that allow users to download free PDF files legally. Whether its classic

literature, research papers, or magazines, there is something for everyone. The platforms mentioned in this article, such as Project Gutenberg, Open Library, Academia.edu, and Issuu, provide access to a vast collection of PDF files. However, users should always be cautious and verify the legality of the source before downloading 2006 Ford Taurus Wiring Diagrams any PDF files. With these platforms, the world of PDF downloads is just a click away.

FAQs About 2006 Ford Taurus Wiring Diagrams Books

What is a 2006 Ford Taurus Wiring Diagrams PDF? A PDF (Portable Document Format) is a file format developed by Adobe that preserves the layout and formatting of a document, regardless of the software, hardware, or operating system used to view or print it. **How do I create a 2006 Ford Taurus Wiring Diagrams PDF?** There are several ways to create a PDF: Use software like Adobe Acrobat, Microsoft Word, or Google Docs, which often have built-in PDF creation tools. Print to PDF: Many applications and operating systems have a "Print to PDF" option that allows you to save a document as a PDF file instead of printing it on paper. Online converters: There are various online tools that can convert different file types to PDF. **How do I edit a 2006 Ford Taurus Wiring Diagrams PDF?** Editing a PDF can be done with software like Adobe Acrobat, which allows direct editing of text, images, and other elements within the PDF. Some free tools, like PDFescape or Smallpdf, also offer basic editing capabilities. **How do I convert a 2006 Ford Taurus Wiring Diagrams PDF to another file format?** There are multiple ways to convert a PDF to another format: Use online converters like Smallpdf, Zamzar, or Adobe Acrobats export feature to convert PDFs to formats like Word, Excel, JPEG, etc. Software like Adobe Acrobat, Microsoft Word, or other PDF editors may have options to export or save PDFs in different formats. **How do I password-protect a 2006 Ford Taurus Wiring Diagrams PDF?** Most PDF editing software allows you to add password protection. In Adobe Acrobat, for instance, you can go to "File" -> "Properties" -> "Security" to set a password to restrict access or editing capabilities. Are there any free alternatives to Adobe Acrobat for working with PDFs? Yes, there are many free alternatives for working with PDFs, such as: LibreOffice: Offers PDF editing features. PDFsam: Allows splitting, merging, and editing PDFs. Foxit Reader: Provides basic PDF viewing and editing capabilities. How do I compress a PDF file? You can use online tools like Smallpdf, ILovePDF, or desktop software like Adobe Acrobat to compress PDF files without significant quality loss. Compression reduces the file size, making it easier to share and download. Can I fill out forms in a PDF file? Yes, most PDF viewers/editors like Adobe Acrobat, Preview (on Mac), or various online tools allow you to fill out forms in PDF files by selecting text fields and entering information. Are there any restrictions when working with PDFs? Some PDFs might have restrictions set by their creator, such as password protection, editing restrictions, or print restrictions. Breaking these restrictions might require specific software or tools, which may or may not be legal depending on the circumstances and

local laws.

Find 2006 Ford Taurus Wiring Diagrams :

forty hadith nawawi

fcib

75 readings an anthology

maternal neonatal nursing made incredibly easy!

forensic science fundamentals and investigations

engine failure analysis

[naplex 2014 2015 strategies practice and review with 2 practice tests](#)

[spark 2 workbook answer](#)

2005 hyundai sonata owners manual

ags consumer mathematics mastery tests

applications of artificial neural networks in chemical engineering

[protective relaying principles and applications solution manual](#)

[90 ricette con chef menu di jet chef premium](#)

[evaluation a systematic approach 7th edition](#)

jaguar s type repair manual free download

2006 Ford Taurus Wiring Diagrams :

strahlende haut und volles haar gesunde losungen pdf - Feb 13 2022

web strahlende haut und volles haar gesunde losungen strahlende haut und volles haar gesunde losungen 2 downloaded from wp lacialera gob ar on 2023 03 30 by

strahlende haut und volles haar gesunde losungen 2022 - Jan 15 2022

web feb 27 2023 strahlende haut und volles haar gesunde losungen 2 8 downloaded from uniport edu ng on february 27 2023 by guest the fundamental nature of existence

gesunde haut so bringen sie ihr gesicht zum strahlen - Mar 29 2023

web strahlende haut 4 tricks bringen den teint zum leuchten 1 vitamine für mehr glow antioxidantien nennt man jene substanzen die freie radikale daran hindern sich im

strahlende haut und volles haar gesunde losungen pdf - Nov 12 2021

strahlende haut und volles haar gesunde losungen book - Nov 24 2022

web strahlende haut und volles haar gesunde losungen goethe sein leben und seine werke sep 05 2020 the amethyst road
nov 07 2020 having fled the city of oestia

strahlende haut und volles haar brigitte sanders eurobuch - Dec 26 2022

web apr 24 2020 neue forschungserfolge beflügeln die kosmetik und die formeln für volles haar beflügelt durch aktuelle
ergebnisse der forschung und neue

strahlende haut und volles haar gesunde lösungen von innen - Oct 04 2023

web im weiteren zeigt sie auf was wir aktiv für jung bleibende gesunde und strahlende haut sowie für volles haar tun können
mehr lesen previous page seitenzahl der print ausgabe 184 seiten sprache deutsch herausgeber schirner verlag

volles haar sichtbare erfolge für gesunde haare - Oct 24 2022

web mar 9 2023 strahlende haut und volles haar gesunde losungen 3 11 downloaded from uniport edu ng on march 9 2023
by guest that was able to account for the relation of the

7 tipps für eine strahlende und gesunde haut rosekin - Aug 02 2023

web feb 14 2021 jeder tag ist eine weitere chance nicht nur das beste aus dem leben sondern auch aus dir selbst
herauszuholen du hast es verdient dich schön

strahlende haut und volles haar gesunde lösungen von innen - May 19 2022

web jun 4 2023 strahlende haut und volles haar gesunde losungen 1 9 downloaded from uniport edu ng on june 4 2023 by
guest strahlende haut und volles haar gesunde

diese nahrungsmittel sorgen für schöne haut und haare - Jul 01 2023

web may 3 2021 kräftiges haar und schöne nägel eisen zink und silizium ist das mineralstoff trio das für volles und
gesundes haar besonders wichtig ist so kann

strahlende haut und volles haar gesunde losungen pdf - Mar 17 2022

web strahlende haut und volles haar gesunde losungen true hearts ich sehe nur dich ansprüche die woche dictionary of
quotations from ancient and modern english and

strahlende haut und volles haar gesunde losungen book - Sep 22 2022

web 2 strahlende haut und volles haar gesunde losungen 2023 02 09 publikum wie die achtung der kritik errungen hat kurz
der doyen unserer romanciers ist ein glücklicher

volleres haar das sind die 10 ultimativen beauty tipps 2022 - Sep 03 2023

web jul 29 2022 wenn man sich gesundes volles haar wünscht spielt die ernährung natürlich eine nicht unwesentliche rolle denn während die genetik die haarstruktur

[strahlende haut und volles haar gesunde losungen pdf](#) - Aug 22 2022

web strahlende haut und volles haar gesunde lösungen von innen und außen von 385529056003 strahlende haut und volles haar gesunde lösungen v buch

strahlende haut und volles haar gesunde lösungen - Jul 21 2022

web strahlende haut und volles haar gesunde lösungen von may 7th 2020 strahlende haut und volles haar gesunde lösungen von innen und außen sanders brigitte isbn

strahlende haut und volles haar gesunde lösungen pdf - Apr 17 2022

web 2 strahlende haut und volles haar gesunde lösungen 2022 12 19 reproduced from the original artifact and remains as true to the original work as possible therefore you will

strahlende haut und volles haar thalia - May 31 2023

web strahlende haut und volles haar gesunde lösungen von innen und außen brigitte sanders buch taschenbuch zellstoffwechsel verdauung und giftstoffen im

strahlende haut in nur 6 schritten women s health - Apr 29 2023

web für eine gesunde haut lässt sich einfach mehr tun als täglich das gesicht zu reinigen und eine hochwertige creme zu benutzen wir verraten 8 tipps für schöne gesunde haut

schöne haut bekommen tipps für strahlende haut - Feb 25 2023

web strahlende haut und volles haar finden sie alle bücher von brigitte sanders bei der büchersuchmaschine eurobuch com können sie antiquarische und neubücher

strahlende haut und volles haar gesunde lösungen v buch - Jun 19 2022

web strahlende haut und volles haar gesunde lösungen 2 8 downloaded from uniport edu ng on may 30 2023 by guest solve for happy mo gawdat 2017 03 23 he explains how

strahlende haut und volles haar gesunde lösungen - Dec 14 2021

strahlende haut 4 tricks für den glow active beauty - Jan 27 2023

web strahlende haut und volles haar gesunde lösungen strahlende haut und volles haar jun 13 2023 dinglers polytechnisches journal oct 13 2020 die normen und ihre

[amazon ca pmp rita mulcahy 9th edition](#) - Mar 31 2023

web or fastest delivery tomorrow aug 13 only 9 left in stock more buying choices 55 00 56 used new offers pmp exam prep

how to pass on your first attempt based on the

[rita mulcahy 9th edition pdf j0vm6583wp0x doku](#) - May 01 2023

web download view rita mulcahy 9th edition pdf as pdf for free more details pages 690 preview full text download view rita mulcahy 9th edition pdf as pdf for free

[rita mulcahy 9th edition pdf cartesians biz christian green pdf](#) - Apr 19 2022

web jan 30 2023 rita mulcahy 9th edition pdf cartesians biz 2 8 downloaded from sfsupport2 solidfire com on by guest offers a collection of true facts about animals food

[rita mulcahy 9th edition pdf cartesians biz christian green 2022](#) - Feb 15 2022

web jan 11 2023 way as this one merely said the rita mulcahy 9th edition pdf cartesians biz is universally compatible behind any devices to read weird but true 9 national

rita mulcahy 9th edition pdf cartesians biz pdf blueskywildlife - Feb 27 2023

web rita mulcahy 9th edition pdf cartesians biz pdf is available in our book collection an online access to it is set as public so you can get it instantly our digital library hosts in

rita mulcahy 9th edition pdf cartesians biz cybersmash - Jul 23 2022

web this is likewise one of the factors by obtaining the soft documents of this rita mulcahy 9th edition pdf cartesians biz by online you might not require more become old to spend

[rita mulcahy 9th edition pdf cartesians biz pdf 2023](#) - Aug 24 2022

web rita mulcahy 9th edition pdf cartesians biz pdf introduction rita mulcahy 9th edition pdf cartesians biz pdf 2023 how canadians communicate david taras 2003

[rita mulcahy 9th edition pdf cartesians biz full pdf ol wise edu](#) - Dec 16 2021

web getting the books rita mulcahy 9th edition pdf cartesians biz now is not type of inspiring means you could not lonely going gone book heap or library or borrowing from your

[rita mulcahy 9th edition pdf cartesians biz zuzutop com](#) - Jun 02 2023

web this is the ninth in the 300 series of circuit design books again contains a wide range of circuits tips and design ideas the book has been divided into sections making it easy

rita mulcahy 9th edition pdf cartesians biz copy uniport edu - Mar 19 2022

web may 30 2023 rita mulcahy 9th edition pdf cartesians biz 1 9 downloaded from uniport edu ng on may 30 2023 by guest rita mulcahy 9th edition pdf cartesians biz

[rita mulcahy 9th edition pdf cartesians biz copy ol wise edu](#) - Jul 03 2023

web our digital library saves in combination countries allowing you to get the most less latency era to download any of our

books like this one merely said the rita mulcahy 9th

[rita mulcahy 9th edition pdf cartesian's biz pdf](#) - Jan 29 2023

web all but the costs its very nearly what you dependence currently this rita mulcahy 9th edition pdf cartesian's biz as one of the most energetic sellers here will agreed be

[rita mulcahy 9th edition pdf cartesian's biz pdf uniport edu](#) - Jan 17 2022

web may 30 2023 getting this info get the rita mulcahy 9th edition pdf cartesian's biz link that we have the funds for here and check out the link you could buy lead rita mulcahy

rita mulcahy 9th edition pdf cartesian's biz pdf uniport edu - Aug 04 2023

web may 22 2023 right here we have countless ebook rita mulcahy 9th edition pdf cartesian's biz and collections to check out we additionally present variant types and

rita mulcahy 9th edition pdf cartesian's biz copy ol wise edu - Sep 24 2022

web enjoy now is rita mulcahy 9th edition pdf cartesian's biz below rita mulcahy 9th edition pdf cartesian's biz downloaded from ol wise edu jo by guest key samir pmp

rita mulcahy 9th edition pdf cartesian's biz zapmap nissan co - Sep 05 2023

web rita mulcahy 9th edition pdf cartesian's biz downloaded from zapmap nissan co uk by guest dillon bradford building skills for the toefl test project management

rita mulcahy 9th edition pdf cartesian's biz pdf pdf - Nov 14 2021

web may 17 2023 risk management rita mulcahy 2003 a review for the book from another world renown author rita mulcahy pmp is an author consultant and member of the

rita mulcahy 9th edition pdf cartesian's biz pdf uniport edu - Oct 26 2022

web jul 28 2023 right here we have countless book rita mulcahy 9th edition pdf cartesian's biz and collections to check out we additionally manage to pay for variant types and as

rita mulcahy 9th edition pdf cartesian's biz copy - Nov 26 2022

web bargains to download and install rita mulcahy 9th edition pdf cartesian's biz for that reason simple rita mulcahy 9th edition pdf cartesian's biz downloaded from

rita mulcahy 9th edition cartesian's biz smcapproved - Oct 06 2023

web rita mulcahy 9th edition cartesian's biz rita mulcahy 9th edition cartesian's biz 2 downloaded from smcapproved com on 2022 06 09 by guest vladimir igorevich arnol'd

rita mulcahy 9th edition pdf cartesian's biz ol wise edu - May 21 2022

web this online message rita mulcahy 9th edition pdf cartesian's biz can be one of the options to accompany you next having

additional time it will not waste your time

rita mulcahy books store online buy rita mulcahy books - Jun 21 2022

web rita mulcahy books online store in india free shipping cash on delivery at india s favourite online shop flipkart com

explore plus login become a seller more cart

rita mulcahy 9th edition pdf cartesians biz 2022 monograf - Dec 28 2022

web rita mulcahy 9th edition pdf cartesians biz is handy in our digital library an online admission to it is set as public for that reason you can download it instantly our digital

international trade von john mclaren isbn 978 0 470 40879 7 - Aug 07 2022

web international trade von john mclaren isbn 978 0 470 40879 7 bestellen schnelle lieferung auch auf rechnung lehmanns de

international trade 1st edition vitalsource - Jan 12 2023

web international trade 1st edition is written by john mclaren and published by wiley the digital and etextbook isbns for international trade are 9781118545478 1118545478 and the print isbns are 9780470408797 0470408790 save up to 80

versus print by going digital with vitalsource

international trade edition 1 by john mclaren 9780470408797 - Mar 14 2023

web oct 30 2012 assuming a minimum exposure to principles of microeconomics this book reviews economic models and presents theories to explain the benefits and goals of trade between countries it is rigorous and unique in its presentation of

solution manual for international trade 1st edition by john mclaren - May 04 2022

web name solution manual for international trade 1st edition by john mclaren edition 1st edition author by john mclaren isbn isbn 13 978 0470408797 isbn 10 0470408790 type solution manual format word zip all chapter include mclaren s

international trade covers all of the conventional theory that students are expected to

9780470408797 international trade by john mclaren biblio - Oct 09 2022

web oct 30 2012 international trade by john mclaren isbn 13 9780470408797 isbn 10 0470408790 paperback new york ny u s a wiley 2012 10 isbn 13 978 0470408797

international trade google books - Jun 17 2023

web john mclaren wiley 2013 international trade 356 pages assuming a minimum exposure to principles of microeconomics this book reviews economic models and presents theories to explain

international trade 1st edition solutioninn solutioninn com - Mar 02 2022

web aug 3 2023 international trade 1st edition authors john mclaren 7 ratings get free for 0 only solutions for 9 99 cover type paperback condition used in stock

mclaren international trade student companion site wiley - Dec 11 2022

web welcome to the web site for international trade by john mclaren this web site gives you access to the rich tools and resources available for this text you can access these resources in two ways using the menu at the top select a chapter a list of resources available for that particular chapter will be provided

international trade mclaren john 9780470408797 - Aug 19 2023

web oct 8 2012 aiming to teach students how to use economic theory instead of merely memorizing economic theory international trade introduces each topic with a real world policy problem followed by the models and theories in an applied approach this approach encourages more student engagement with the material and fosters a view of model

international trade 1st edition vitalsource - Feb 01 2022

web international trade 1st edition is written by john mclaren and published by wiley the digital and etextbook isbns for international trade are 9781118476000 111847600x and the print isbns are 9780470408797 0470408790 save up to 80 versus print by going digital with vitalsource

international trade by mclaren john first edition abebooks - Sep 20 2023

web international trade by mclaren john and a great selection of related books art and collectibles available now at abebooks.com

9780470408797 international trade by mclaren john abebooks - Apr 15 2023

web 1 ship within 24hrs satisfaction 100 guaranteed apo fpo addresses supported international trade mclaren john published by wiley edition 1 2012 isbn 10 0470408790 isbn 13 9780470408797 seller booksrun philadelphia pa u s a seller rating contact seller book

international trade 1st edition 1 a second wave of studocu - Sep 08 2022

web in addition physical proximity is still an important determinant of trade flows these considerations suggest that transport costs remain very important in international trade even where tariffs have essentially disappeared 1 the second wave 5 mclaren john international trade 1st edition wiley 2012

international trade 1st edition by john mclaren test bank - Apr 03 2022

web description reviews 0 international trade 1st edition by john mclaren test bank mclaren international trade multiple choice chapter 9 1 according to a citation in the textbook between 1864 1913 the united states was a the second fastest growing economy after britain b the most free trading economy in the world c

international trade wiley - Feb 13 2023

web mclaren s international trade covers all of the conventional theory that students are expected to learn but presents it in a modern and unique way aiming to teach students how to use economic theory instead of merely memorizing economic

theory international trade introduces each topic with a real world policy problem followed by the models

[solution manual for international trade 1st edition by john mclaren](#) - Jul 06 2022

web solution manual for international trade 1st edition by john mclaren mclaren s international trade covers all of the conventional theory that students are expected to learn but presents it in a modern and unique way

[international trade by john mclaren 9780470408797 booktopia](#) - Nov 10 2022

web booktopia has international trade by john mclaren buy a discounted paperback of international trade online from australia s leading online bookstore country of publication us dimensions cm 25 15 x 17 8 x 1 15 weight kg 0 51 edition number 1 earn 400 qantas points on this book more books in 1st edition book with other

international trade 1st edition by john mclaren youtube - Jun 05 2022

web click here to get college textbooks at 0 solutioninn com textbooks international trade 1st edition 871 are you looking for free college textbook

international trade john mclaren google books - Jul 18 2023

web oct 8 2012 mclaren s economics of international trade reviews economic models and present theories to explain the benefits and goals of trade between countries generally assume a minimum exposure to

international trade 1st edition vitalsource - May 16 2023

web international trade 1st edition author s john mclaren publisher wiley format fixed what s this print isbn 9780470408797 0470408790 etext isbn 9781118476000 111847600x edition 1st copyright 2013 38 00 usd 9781118476000r150 rent or buy etextbook 150 days 38 00 lifetime 91 00 expires on feb 18 2024 38 00 usd add