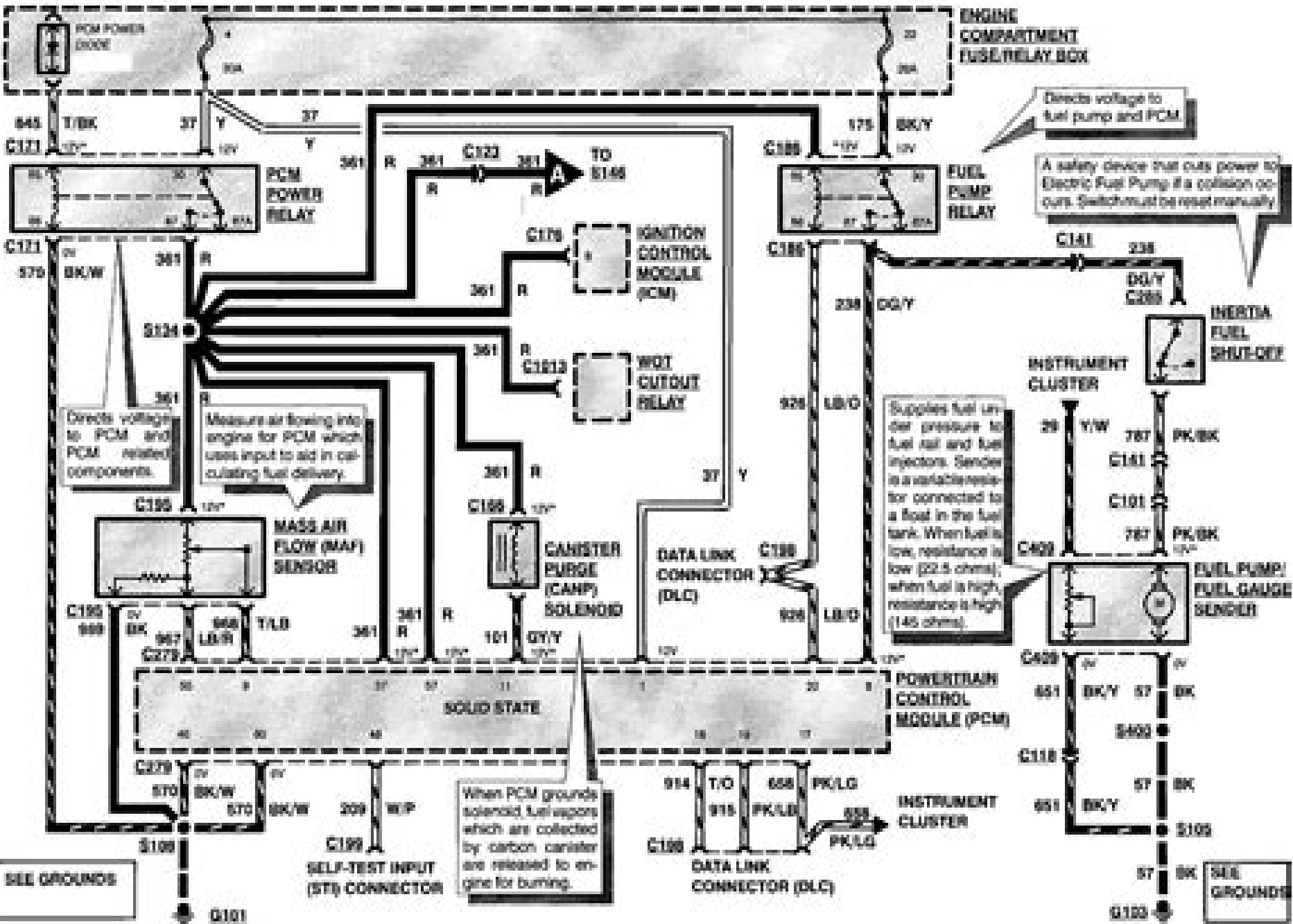


\* WITH IGNITION SWITCH IN START OR RUN

HOT IN RUN AND START

HOT AT ALL TIMES



# Wiring Diagram Air Conditioner Ford Ranger

**Ford Motor Company**



Wiring Diagram Air Conditioner Ford Ranger
2001 Ford Ranger Ford Motor Company,2000
1999 Ford Ranger Ford Motor Company,1998
Ranger 1999 Wiring Diagrams ,1998
<b>Chilton's Auto Air Conditioning &amp; Wiring Diagram Manual</b> Chilton Book Company. Automotive Book Department,1971
<b>Chilton's Auto Air Conditioning and Wiring Diagram Manual</b> Paul A. Murphy,Chilton Book Company,1970
<b>Chilton's Auto Air Conditioning and Wiring Diagram Manual</b> Chilton Book Company. Automotive Editorial Department,1974
Ford Truck Wiring Diagrams Ford Motor Co,1975
<u>93 - 97 Ford Ranger Repair Manual</u> , This is the PDF service repair manual for the Ford Ranger 1993 1997 The same manual autoshops and dealers reference to This isnt your everyday off the shelf autostore manual This manual is guranteed to be better than any autostore manual Detailed drawings Detail diagrams Detail step by step instructions Covers more than standard manuals Available as PDF no more damage manuals Chapters include Body Frame and Mounting Engine Suspension Driveline Brakes Transmission Clutch Exhaust system Fuel system Steering Climate Control system Instrumentation and Warning systems Battery and charging system Audio system Lighting Electrical Power supply
Boyce's Wiring Diagram Manual: Ford - AU Falcon, Ford - AU Falcon Series II, Holden - VT Commodore ,2001
<b>Motor .... Domestic Wiring Diagram Manual</b> ,1995
1998 Ford Ranger Service Manual Ford Motor Company,1997
<b>Motor Wiring Diagram Manual</b> John R. Lypen,1998
<u>Air Conditioning &amp; Heating Service &amp; Repair, Domestic Cars, Trucks &amp; Vans</u> Mitchell Information Services,Mitchell Manuals, inc,1982
<u>Ford Ranger &amp; Mazda B-series Pick-ups Automotive Repair Manual</u> Eric Jorgensen,Alan Ahlstrand,John Harold Haynes,2010 Haynes manuals are written specifically for the do it yourselfer yet are complete enough to be used by professional mechanics Since 1960 Haynes has produced manuals written from hands on experience based on a vehicle teardown with hundreds of photos and illustrations making Haynes the world leader in automotive repair information
<u>Ford Ranger Pick-ups</u> Eric Jorgensen,Alan Ahlstrand,John Harold Haynes,2008 Haynes offers the best coverage for cars trucks vans SUVs and motorcycles on the market today Each manual contains easy to follow step by step instructions linked to hundreds of photographs and illustrations Included in every manual troubleshooting section to help identify specific problems tips that give valuable short cuts to make the job easier and eliminate the need for special tools notes cautions and warnings for the home mechanic color spark plug diagnosis and an easy to use index
<b>Automobile Trade Journal</b> ,1916

Build Your Own Electric Vehicle Bob Brant,1994

*Comfort* ,1921

**1993 Mitchell Domestic Light Trucks & Vans Service & Repair** Mitchell International,1993

*Books in Print* ,1987

The Top Books of the Year Wiring Diagram Air Conditioner Ford Ranger The year 2023 has witnessed a remarkable surge in literary brilliance, with numerous compelling novels captivating the hearts of readers worldwide. Lets delve into the realm of bestselling books, exploring the fascinating narratives that have enthralled audiences this year. Wiring Diagram Air Conditioner Ford Ranger : Colleen Hoover's "It Ends with Us" This poignant tale of love, loss, and resilience has captivated readers with its raw and emotional exploration of domestic abuse. Hoover expertly weaves a story of hope and healing, reminding us that even in the darkest of times, the human spirit can prevail. Uncover the Best : Taylor Jenkins Reids "The Seven Husbands of Evelyn Hugo" This captivating historical fiction novel unravels the life of Evelyn Hugo, a Hollywood icon who defies expectations and societal norms to pursue her dreams. Reids compelling storytelling and compelling characters transport readers to a bygone era, immersing them in a world of glamour, ambition, and self-discovery. Wiring Diagram Air Conditioner Ford Ranger : Delia Owens "Where the Crawdads Sing" This mesmerizing coming-of-age story follows Kya Clark, a young woman who grows up alone in the marshes of North Carolina. Owens spins a tale of resilience, survival, and the transformative power of nature, entrancing readers with its evocative prose and mesmerizing setting. These bestselling novels represent just a fraction of the literary treasures that have emerged in 2023. Whether you seek tales of romance, adventure, or personal growth, the world of literature offers an abundance of compelling stories waiting to be discovered. The novel begins with Richard Papen, a bright but troubled young man, arriving at Hampden College. Richard is immediately drawn to the group of students who call themselves the Classics Club. The club is led by Henry Winter, a brilliant and charismatic young man. Henry is obsessed with Greek mythology and philosophy, and he quickly draws Richard into his world. The other members of the Classics Club are equally as fascinating. Bunny Corcoran is a wealthy and spoiled young man who is always looking for a good time. Charles Tavis is a quiet and reserved young man who is deeply in love with Henry. Camilla Macaulay is a beautiful and intelligent young woman who is drawn to the power and danger of the Classics Club. The students are all deeply in love with Morrow, and they are willing to do anything to please him. Morrow is a complex and mysterious figure, and he seems to be manipulating the students for his own purposes. As the students become more involved with Morrow, they begin to commit increasingly dangerous acts. The Secret History is a brilliant and suspenseful novel that will keep you wondering until the very end. The novel is a cautionary tale about the dangers of obsession and the power of evil.

## **Table of Contents Wiring Diagram Air Conditioner Ford Ranger**

1. Understanding the eBook Wiring Diagram Air Conditioner Ford Ranger
  - The Rise of Digital Reading Wiring Diagram Air Conditioner Ford Ranger

- Advantages of eBooks Over Traditional Books
- 2. Identifying Wiring Diagram Air Conditioner Ford Ranger
  - Exploring Different Genres
  - Considering Fiction vs. Non-Fiction
  - Determining Your Reading Goals
- 3. Choosing the Right eBook Platform
  - Popular eBook Platforms
  - Features to Look for in an Wiring Diagram Air Conditioner Ford Ranger
  - User-Friendly Interface
- 4. Exploring eBook Recommendations from Wiring Diagram Air Conditioner Ford Ranger
  - Personalized Recommendations
  - Wiring Diagram Air Conditioner Ford Ranger User Reviews and Ratings
  - Wiring Diagram Air Conditioner Ford Ranger and Bestseller Lists
- 5. Accessing Wiring Diagram Air Conditioner Ford Ranger Free and Paid eBooks
  - Wiring Diagram Air Conditioner Ford Ranger Public Domain eBooks
  - Wiring Diagram Air Conditioner Ford Ranger eBook Subscription Services
  - Wiring Diagram Air Conditioner Ford Ranger Budget-Friendly Options
- 6. Navigating Wiring Diagram Air Conditioner Ford Ranger eBook Formats
  - ePub, PDF, MOBI, and More
  - Wiring Diagram Air Conditioner Ford Ranger Compatibility with Devices
  - Wiring Diagram Air Conditioner Ford Ranger Enhanced eBook Features
- 7. Enhancing Your Reading Experience
  - Adjustable Fonts and Text Sizes of Wiring Diagram Air Conditioner Ford Ranger
  - Highlighting and Note-Taking Wiring Diagram Air Conditioner Ford Ranger
  - Interactive Elements Wiring Diagram Air Conditioner Ford Ranger
- 8. Staying Engaged with Wiring Diagram Air Conditioner Ford Ranger
  - Joining Online Reading Communities
  - Participating in Virtual Book Clubs
  - Following Authors and Publishers Wiring Diagram Air Conditioner Ford Ranger
- 9. Balancing eBooks and Physical Books Wiring Diagram Air Conditioner Ford Ranger

- Benefits of a Digital Library
  - Creating a Diverse Reading Collection Wiring Diagram Air Conditioner Ford Ranger
10. Overcoming Reading Challenges
    - Dealing with Digital Eye Strain
    - Minimizing Distractions
    - Managing Screen Time
  11. Cultivating a Reading Routine Wiring Diagram Air Conditioner Ford Ranger
    - Setting Reading Goals Wiring Diagram Air Conditioner Ford Ranger
    - Carving Out Dedicated Reading Time
  12. Sourcing Reliable Information of Wiring Diagram Air Conditioner Ford Ranger
    - Fact-Checking eBook Content of Wiring Diagram Air Conditioner Ford Ranger
    - Distinguishing Credible Sources
  13. Promoting Lifelong Learning
    - Utilizing eBooks for Skill Development
    - Exploring Educational eBooks
  14. Embracing eBook Trends
    - Integration of Multimedia Elements
    - Interactive and Gamified eBooks

### **Wiring Diagram Air Conditioner Ford Ranger Introduction**

In the digital age, access to information has become easier than ever before. The ability to download Wiring Diagram Air Conditioner Ford Ranger has revolutionized the way we consume written content. Whether you are a student looking for course material, an avid reader searching for your next favorite book, or a professional seeking research papers, the option to download Wiring Diagram Air Conditioner Ford Ranger has opened up a world of possibilities. Downloading Wiring Diagram Air Conditioner Ford Ranger provides numerous advantages over physical copies of books and documents. Firstly, it is incredibly convenient. Gone are the days of carrying around heavy textbooks or bulky folders filled with papers. With the click of a button, you can gain immediate access to valuable resources on any device. This convenience allows for efficient studying, researching, and reading on the go. Moreover, the cost-effective nature of downloading Wiring Diagram Air Conditioner Ford Ranger has democratized knowledge. Traditional books and academic journals can be expensive, making it difficult for individuals with limited financial resources to access information. By offering free PDF downloads, publishers and

authors are enabling a wider audience to benefit from their work. This inclusivity promotes equal opportunities for learning and personal growth. There are numerous websites and platforms where individuals can download Wiring Diagram Air Conditioner Ford Ranger. These websites range from academic databases offering research papers and journals to online libraries with an expansive collection of books from various genres. Many authors and publishers also upload their work to specific websites, granting readers access to their content without any charge. These platforms not only provide access to existing literature but also serve as an excellent platform for undiscovered authors to share their work with the world. However, it is essential to be cautious while downloading Wiring Diagram Air Conditioner Ford Ranger. Some websites may offer pirated or illegally obtained copies of copyrighted material. Engaging in such activities not only violates copyright laws but also undermines the efforts of authors, publishers, and researchers. To ensure ethical downloading, it is advisable to utilize reputable websites that prioritize the legal distribution of content. When downloading Wiring Diagram Air Conditioner Ford Ranger, users should also consider the potential security risks associated with online platforms. Malicious actors may exploit vulnerabilities in unprotected websites to distribute malware or steal personal information. To protect themselves, individuals should ensure their devices have reliable antivirus software installed and validate the legitimacy of the websites they are downloading from. In conclusion, the ability to download Wiring Diagram Air Conditioner Ford Ranger has transformed the way we access information. With the convenience, cost-effectiveness, and accessibility it offers, free PDF downloads have become a popular choice for students, researchers, and book lovers worldwide. However, it is crucial to engage in ethical downloading practices and prioritize personal security when utilizing online platforms. By doing so, individuals can make the most of the vast array of free PDF resources available and embark on a journey of continuous learning and intellectual growth.

### **FAQs About Wiring Diagram Air Conditioner Ford Ranger Books**

How do I know which eBook platform is the best for me? Finding the best eBook platform depends on your reading preferences and device compatibility. Research different platforms, read user reviews, and explore their features before making a choice. Are free eBooks of good quality? Yes, many reputable platforms offer high-quality free eBooks, including classics and public domain works. However, make sure to verify the source to ensure the eBook credibility. Can I read eBooks without an eReader? Absolutely! Most eBook platforms offer web-based readers or mobile apps that allow you to read eBooks on your computer, tablet, or smartphone. How do I avoid digital eye strain while reading eBooks? To prevent digital eye strain, take regular breaks, adjust the font size and background color, and ensure proper lighting while reading eBooks. What the advantage of interactive eBooks? Interactive eBooks incorporate multimedia elements, quizzes, and activities,



enhancing the reader engagement and providing a more immersive learning experience. Wiring Diagram Air Conditioner Ford Ranger is one of the best book in our library for free trial. We provide copy of Wiring Diagram Air Conditioner Ford Ranger in digital format, so the resources that you find are reliable. There are also many Ebooks of related with Wiring Diagram Air Conditioner Ford Ranger. Where to download Wiring Diagram Air Conditioner Ford Ranger online for free? Are you looking for Wiring Diagram Air Conditioner Ford Ranger PDF? This is definitely going to save you time and cash in something you should think about.

### **Find Wiring Diagram Air Conditioner Ford Ranger :**

#### **big ideas math algebra 1 student journal**

*chrysler 70hp outboard motor manual*

#### **the greatest stories never told rick beyer**

*management accounting by cabrera solution manual download*

*focus on personal finance 3rd edition*

[engineering fundamentals an introduction to engineering by saeed moaveni](#)

[grade 11 past exam paper order form intec college](#)

#### **asi se dice level 2 workbook answers**

[all the way to america the story of a big italian family and a little shovel yaccarino dan](#)

[spencer s forbidden passion the westmoreland series](#)

#### **hamm hd 12 roller parts manual**

*psg nepra thermostat manual*

#### **service manual 2003 chevy silverado 2500hd duramax**

*differential equations blanchard 4th edition solutions manual*

[the geography of nowhere](#)

### **Wiring Diagram Air Conditioner Ford Ranger :**

[how to overcome the antibiotic crisis facts chall uniport edu](#) - Feb 26 2022

web aug 18 2023 how to overcome the antibiotic crisis facts chall 1 12 downloaded from uniport edu ng on august 18 2023

by guest how to overcome the antibiotic crisis facts chall as recognized adventure as without difficulty as experience

practically lesson amusement as with

**how to overcome the antibiotic crisis google books** - Jan 08 2023

web it covers several basic aspects such as the evolution of antibiotic resistance and the influence of antibiotics on the gut microbiota and addresses the search for novel pathogenicity blockers as well as historical aspects of antibiotics

**how to overcome the antibiotic crisis facts chall wiley pdf** - Jul 02 2022

web how to overcome the antibiotic crisis facts chall as recognized adventure as skillfully as experience virtually lesson amusement as competently as pact can be gotten by just checking out a ebook we find the money for you this proper as well as easy showing off to acquire those all

**how do we solve the antibiotic resistance crisis** - Dec 07 2022

web to help solve this problem the university is engaged in cross disciplinary research including examining deep sea sponges in the search for new antibiotics inventing new technologies to detect antibiotic resistance in blood samples we believe that deep sea sponges contain diverse populations of new cultivable and non cultivable bacteria

**how to overcome the antibiotic crisis facts chall** - Mar 30 2022

web compulsion currently this how to overcome the antibiotic crisis facts chall as one of the most involved sellers here will extremely be in the midst of the best options to review how to overcome the antibiotic crisis facts chall 2022 07 11 janiya douglas how to overcome the antibiotic crisis springer antibiotic resistance

*how to overcome the antibiotic crisis facts challenges* - May 12 2023

web contents tackling threats and future problems of multidrug resistant bacteria emergence and spread of antimicrobial resistance recent insights from bacterial population genomics epidemiology of staphylococcus aureus nasal carriage patterns in the community

*how to overcome the antibiotic crisis facts challenges* - Mar 10 2023

web crisis facts challenges the crisis of antibiotic resistance scientific american what is the current solution for antibiotic resistance how to solve the problem of antibiotic resistance antibiotic resistance world health organization antibiotic resistance will kill 10 million medical daily how to overe the antibiotic crisis facts

*how to overcome the antibiotic crisis facts chall gilberto* - Dec 27 2021

web how to overcome the antibiotic crisis facts chall this is likewise one of the factors by obtaining the soft documents of this how to overcome the antibiotic crisis facts chall by online you might not require more times to spend to go to the ebook creation as competently as search for them

**how to overcome the antibiotic crisis facts challenges** - Nov 06 2022

web how to overcome the antibiotic crisis facts challenges technologies and future perspectives current topics in microbiology and immunology book 398 ebook stadler marc dersch petra amazon co uk books

**how to overcome the antibiotic crisis facts chall uniport edu** - Jun 01 2022

web apr 23 2023 you to look guide how to overcome the antibiotic crisis facts chall as you such as by searching the title publisher or authors of guide you in point of fact want you can discover them rapidly

**how to overcome the antibiotic crisis facts challenges technologies** - Jun 13 2023

web how to overcome the antibiotic crisis facts challenges technologies and future perspectives marc stadler petra dersch this volume focuses on antibiotics research a field of topical significance for human health due to the worrying increase of nosocomial infections caused by multi resistant bacteria

**how to overcome the antibiotic crisis facts challenges** - Jan 28 2022

web to overe the antibiotic crisis facts challenges how to overe the antibiotic crisis 9783319492827 how to overe the antibiotic crisis facts 8 ways to deal with antibiotic resistance medscape how to overe the antibiotic crisis facts challenges antibiotic resistance world health organization facts about antibiotic resistance idsa the antibiotics

how to overcome the antibiotic crisis facts challenges - Aug 15 2023

web book title how to overcome the antibiotic crisis book subtitle facts challenges technologies and future perspectives editors marc stadler petra dersch series title current topics in microbiology and immunology doi doi org 10 1007 978 3 319 49284 1 publisher springer cham

**how to overcome the antibiotic crisis facts chall pdf** - Apr 30 2022

web jun 18 2023 how to overcome the antibiotic crisis facts chall 1 13 downloaded from uniport edu ng on june 18 2023 by guest how to overcome the antibiotic crisis facts chall as recognized adventure as competently as experience virtually lesson amusement as well as harmony can

how to overcome the antibiotic crisis facts chall book - Oct 05 2022

web edition in 1977 presents facts and basic concepts necessary to understanding antibiotics including antibiotics activities mechanisms of action and activities in relation to their structure the resistance of microorganisms biosynthesis and t essentials of antimicrobial pharmacology oct 07 2020

how to overcome the antibiotic crisis facts chall robert b - Aug 03 2022

web proclamation how to overcome the antibiotic crisis facts chall can be one of the options to accompany you similar to having new time it will not waste your time receive me the e book will certainly spread you extra issue to read just invest little epoch to approach this on line declaration how to overcome the antibiotic crisis facts chall

**how to overcome the antibiotic crisis facts challenges** - Apr 11 2023

web challenges how to overe the antibiotic crisis facts what causes antibiotic resistance kevin wu how to overe the antibiotic crisis facts challenges bating antibiotic resistance fda how to overe the antibiotic crisis facts challenges antibiotics in crisis

sciencedirect how to deal with antibiotic

**the antibiotics crisis how did we get here and where do we** - Sep 04 2022

web jan 10 2011 the antibiotics are made by actinomycete bacteria that live on the ants in a mutual symbiosis the researchers said they not only found a new antibiotic but they also learned important clues that

how to overcome the antibiotic crisis facts challenges - Jul 14 2023

web dec 26 2016 request pdf how to overcome the antibiotic crisis facts challenges technologies and future perspectives this volume focuses on antibiotics research a field of topical significance

**how to overcome the antibiotic crisis facts chall** - Feb 09 2023

web antimicrobial drugs and vaccines based on a greater understanding of how the human immune system interacts with both good and bad microbes the report concludes that the development of a single superdrug to fight all infectious agents is unrealistic the antibiotic crisis apr 28 2023 antibiotics sep 21 2022 antibiotics are truly miracle drugs

**quantitative aptitude for bank exams gopract** - Mar 01 2022

web this quantitative aptitude question and answer section will help you prepare and practice for bank exams bank po so clerical exams mt exams etc have aptitude

**aptitude test format for banks pdf graduate** - Dec 10 2022

web prepare for the 2023 co operative bank online aptitude tests with 16 practice tests and 230 questions answers written by experts get 25 off all test packages get my

commonwealth bank aptitude tests free practice - Jan 11 2023

web the online assessments used for banking positions include the following clerical aptitude this aptitude test is similar to a checking assessment the test taker will be presented

*banking online aptitude tests practice questions answers* - Sep 19 2023

banking requires quick thinking and the ability to not only understand numerical data but to interpret it draw conclusions manipulate data according to the task and identify any anomalies or potential problems you will also be required to generate reports that explain your findings to clients and stakeholders a see more

bank aptitude test questions and answers pdf - Jul 17 2023

an abstract reasoning test allows your employer to assess whether you can take information quickly analyse it and spot patterns and apply your findings to work situations as an see more

**bank assessment tests online preparation 2023 practice4me** - Mar 13 2023

web testlify provides a seamless and user friendly candidate experience allowing candidates to take assessments from anywhere at any time try for free the bank teller aptitude

**access bank aptitude test past questions study pack** - Jul 05 2022

web updated access bank past test questions and answers for stage 1 and 2 over 300 pages of official past access bank questions answers from 2011 till date the actual access

**freedownloadofbankaptitudetests download only** - Oct 28 2021

web quantitative aptitude for banking prelims exam 2022 27 solved topic wise tests for sbi ibps rbi idbi bank nabard clerk po best 4000 smart question bank banking

access bank past questions and answers free pdf intel region - May 03 2022

web sep 22 2022 the download is free and in pdf format apply now access bank entry level recruitment 2023 basically the access bank aptitude test is a computer based

**aptitude tests for finance and accounts psychometriq** - Oct 08 2022

web the accounting aptitude test is an assessment used by consultants to determine the cognitive and professional candidates skills due to the nature of this work the tests are

*aptitude tests pdf 2023 company placement question papers* - Apr 02 2022

web practice free online aptitude tests 2023 download free online company placement question papers with answers what is aptitude test placement aptitude test is a

*free keystone bank aptitude test past questions and answers* - Nov 09 2022

web free keystone bank aptitude test past questions and answers free pdf download are you ready to take your career to new heights at keystone bank elevate your

access bank past questions and answers free pdf - Sep 07 2022

web note about the test format on the access bank job aptitude test you ll face 3 test sections quantitative reasoning verbal reasoning and logical general reasoning

free access bank job aptitude test past questions and - Aug 06 2022

web nov 5 2019 we pulled these access bank job aptitude test past questions from our study pack free access bank job aptitude test past questions and answers each

*access bank job aptitude tests past questions and answers pdf* - Jan 31 2022

web jun 11 2018 sample what do i need to know about the access bank job aptitude tests past questions and answers the access bank job aptitude tests past questions

**citi bank aptitude test past questions and answers 2023** - Aug 18 2023

as an employee of a bank you represent the company values at all times a situational judgement testis designed to assess how well you see more

**access bank job aptitude test past questions and answers** - Nov 28 2021

web oct 15 2023 get updated copy of access bank job aptitude test past questions and answers in our store which is now in a pdf format for easy download this study

**bank teller aptitude test pre employment assessment testlify** - May 15 2023

communication skills are vital for a role in banking as you are expected to translate complex results and data identify any issues or problems and communicate quickly and clearly see more

**access bank past questions and answers updated 2023** - Jun 04 2022

web access bank aptitude test past questions and answers access bank aptitude test past questions and answers for the 2023 entry level recruitment exams are designed to

**fbnquest merchant bank aptitude test past questions free** - Dec 30 2021

web fbnquest merchant bank aptitude test past questions and answers free pdf download patrick o 0 6 min 35 fbnquest merchant bank aptitude test past

**co operative bank aptitude tests free practice questions** - Feb 12 2023

web standard chartered bank online assessment aptitude test reasoning general english puzzles gk interview verbal reasoning verbal ability questions and answers pdf

**bank test mate free pdfs practice questions** - Jun 16 2023

workplace skills are important for a career in banking but your employer also wants to know how your personality fits with the job role with their company a personality test assesses the way you approach problems you see more

**1000 standard chartered bank aptitude questions and** - Apr 14 2023

web citi bank aptitude test past questions and answers 2023 free pdf download securing a position at a renowned financial institution like citi bank is a dream for many

*philosophie terminale stmg assistance scolaire* - Feb 11 2022

web des fiches de révision et des exercices interactifs sur tous les points clés de philosophie en terminale stmg travailler sur des sujets du bac une base de sujets corrigés tirés des épreuves de philosophie en terminale stmg de ces dernières années consulter la

**philosophie tles séries technologiques 2006 manuel élève** - Apr 15 2022

web philosophie tles séries technologiques 2006 manuel élève courme thubert christine marchal calao mathématiques terminale spécialité sti2d stl livre élève Éd 2020 broché 16 offres à partir de 20 93 histoire géographie emc terminale séries technologiques livre élève Éd 2020 stéphane beau

**philosophie terminales stt sti stl sms label emmaüs** - Feb 23 2023

web philosophie terminales stt sti stl sms construire un itinéraire philosophique la lecture guidée des textes des philosophes la présence de dossiers chinez

**Annales philosophie du bac stl sti france examen** - May 17 2022

web 2017 bac technologique philosophie commentaire d un texte philosophique lire le sujet durkheim traite de la culture et des échanges mais il est frappant de remarquer qu aucune de ces notions au programme des séries technologiques n est citée une seule fois dans son texte

**Textes philosophiques terminales stt sti stl sms** - Aug 20 2022

web oct 1 1994 textes philosophiques terminales stt sti stl sms edition 1992 de andré roussel collection nathan technique livraison gratuite à 0 01 dès 35 d achat librairie decitre votre prochain livre est là

**philosophie terminales stt sti stl sms pdf** - Jun 17 2022

web the book philosophie terminales stt sti stl sms a literary masterpiece that delves deep into the significance of words and their impact on our lives compiled by a renowned author this captivating

[philosophie stt sti stl sms corrigés abebooks](#) - Jan 25 2023

web philosophie stt sti stl sms annales bac sujets corrigés by grissault katy portier sylvain and a great selection of related books art and collectibles available now at abebooks com

**cours et programme de philosophie de tle stl annabac** - Dec 24 2022

web réviser vos cours de philosophie de tle stl avec annabac fiches de cours annales corrigées exercices et vidéos programmes officiels de l Éducation nationale

**philosophie terminales stt sti stl sms by collectif lia erc gov** - Jul 19 2022

web philosophie terminales stt sti stl sms philosophie terminales stt sti stl sms e book gérard chomienne cerchi un libro di philosophie terminales stt sti stl sms in formato elettronico eccellente questo libro è sul nostro sito web pdf ccbclery fr scarica e leggi il libro di philosophie terminales stt sti stl sms in formato pdf epub mobi

**philosophie terminales stt sti stl sms abebooks** - Mar 27 2023

web philosophie terminales stt sti stl sms by gérard chomienne and a great selection of related books art and collectibles available now at abebooks com

**philosophie stt sti stl sms les sujets du bac 1998** - Sep 20 2022

web philosophie stt sti stl sms les sujets du bac 1998 corrigés pdf 2091824003 pdf philosophie l es s annales corrigés bac 2009 philosophie terminales stt sti sms nathan de 1998 les sujets nathan philosophie terminales

**philosophie terminales stt sti stl sms de andré senik** - Jul 31 2023

web jul 1 1995 philosophie terminales stt sti stl sms de andré senik Éditeur hatier livraison gratuite à 0 01 dès 35 d achat

librairie decitre votre prochain livre est là

*philosophie terminales stt sti stl sms abebooks france* - Jun 29 2023

web philosophie terminales stt sti stl sms de chomienne gérard senik andré sur abebooks fr isbn 10 2218063891 isbn 13 9782218063893 hatier scolaire 2003 couverture souple

philosophie terminales stt sti stl sms sheetodo com - Mar 15 2022

web we give you this proper as without difficulty as easy pretentiousness to get those all we give philosophie terminales stt sti stl sms and numerous book collections from fictions to scientific research in any way in the course of them is this

philosophie terminales stt sti stl sms that can be your partner livres de france 2005

**philosophie terminales stt sti stl sms softcover** - Sep 01 2023

web philosophie terminales stt sti stl sms softcover chomienne gérard senik andré 0 avg rating 0 ratings by goodreads softcover isbn 10 2218063891 isbn 13 9782218063893 publisher hatier 2000 view all copies of this isbn edition about this edition publisherhatier publication date2000 isbn 10 2218063891 isbn 13

philosophie terminales stt sti stl sms label emmaüs - Nov 22 2022

web dans un langage accessible un dictionnaire à l usage des classes de terminale la définition des concepts les notions

philosophie rappel de cours terminal stt sti stl sms cultura - Apr 27 2023

web philosophie rappel de cours terminal stt sti stl sms collectif 2091808652 livre scolaire lycée cultura philosophie rappel de cours terminal stt sti stl sms par

philosophie terminales stt sti stl sms 2091814830 cultura - May 29 2023

web philosophie terminales stt sti stl sms 2091814830 annales bac annales cultura coups de cœur livre livres à prix réduits philosophie terminales stt sti stl sms aux éditions nathan

philosophie terminales stt sti stl sms broché - Oct 22 2022

web jul 7 2005 philosophie terminales stt sti stl sms broché achat en ligne au meilleur prix sur e leclerc retrait gratuit dans de 700 magasins

*philosophie terminales stt sti stl sms by collectif* - Oct 02 2023

web april 16th 2020 philosophie stt sti stl sms philosophie bac stmg stl st2s sti2d std2a terminale jean paul salle patrice rosenberg ajouter à votre panier 10 40 philosophie terminales séries technologiques