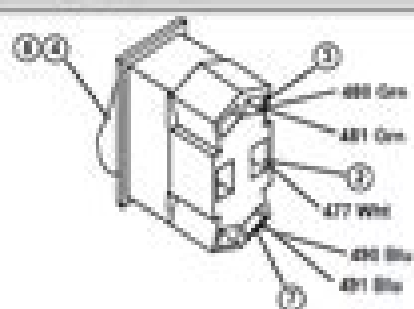


Bookmarks

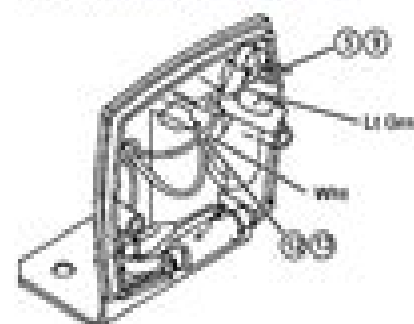
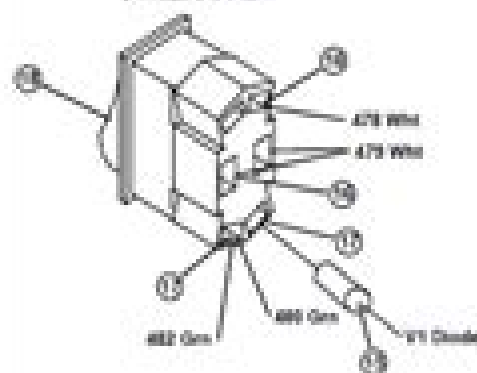
JOHN DEER  
GATOR 4X2 4X6  
UTILITY  
VEHICLES

- INTRODUCTION
- SAFETY
- SPECIFICATIONS & INFORMATION
- ENGINE - GAS (AIR-COOLED)
- ENGINE - GAS (LIQUID-COOLED)
- ENGINE - DIESEL
- ELECTRICAL
- POWER TRAIN - GEAR
- STEERING
- BRAKES
- ATTACHMENTS
- ROTARY BROOM ENGINE

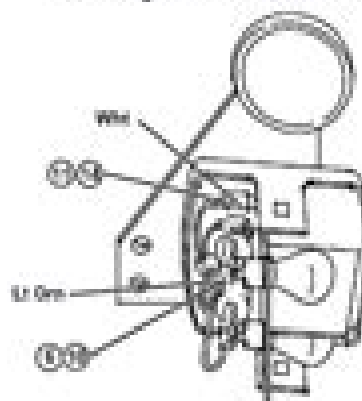


31 Hazard Switch

Left or Right Front Position/Turn Light



Left or Right Rear Position/Brake/Turn Light



# John Deere Gator Repair Manual

**A Gutmann**



John Deere Gator Repair Manual
<i>John Deere 135 Lawn and Garden Tractor Technical Service Repair Manual ,2005-01-15</i>
<b>John Deere 4200 Compact Utility Tractor Technical Service Repair Manual ,2001-04-15</b>
<b>John Deere 4400 Compact Utility Tractor Technical Service Repair Manual ,2001-04-15</b>
John Deere 2140 Tractor Technical Service Repair Manual ,1995-09-15
<i>John Deere 2955 Tractor Technical Service Repair Manual ,1991-12-15</i>
<b>John Deere 4300 Compact Utility Tractor Technical Service Repair Manual ,2001-04-15</b>
<b>John Deere 125 Lawn and Garden Tractor Technical Service Repair Manual ,2005-01-15</b>
<b>John Deere 770 Compact Utility Tractor Technical Service Repair Manual ,1999-03-15</b>
John Deere 102 Lawn and Garden Tractor Technical Service Repair Manual ,2005-01-15
<b>John Deere 155 Lawn and Garden Tractor Technical Service Repair Manual ,2005-01-15</b>
<i>John Deere 3255 Tractor Technical Service Repair Manual ,1991-12-15</i>
<b>John Deere 115 Lawn and Garden Tractor Technical Service Repair Manual ,2005-01-15</b>
<i>John Deere Shop Manual</i> Editors of Haynes Manuals,1989-06-01 With a Haynes manual you can do it yourself from simple maintenance to basic repairs Haynes writes every book based on a complete teardown of the vehicle where we learn the best ways to do a job and that makes it quicker easier and cheaper for you Haynes books have clear instructions and hundreds of photographs that show each step Whether you are a beginner or a pro you can save big with a Haynes manual This manual features complete coverage for your John Deere tractor covering Routine maintenance Tune up procedures Engine repair Cooling and heating Air conditioning Fuel and exhaust Emissions control Ignition brakes Suspension and steering Electrical systems and Wiring diagrams Models covered include John Deere 3010 John Deere 3020 John Deere 4000 John Deere 4010 John Deere 4020 John Deere 4320 John Deere 4520 John Deere 4620 John Deere 5010 John Deere 5020 John Deere 6030
John Deere 870 Compact Utility Tractor Technical Service Repair Manual ,1999-03-15
<b>John Deere 145 Lawn and Garden Tractor Technical Service Repair Manual ,2005-01-15</b>
John Deere 190 Lawn and Garden Tractor Technical Service Repair Manual ,2005-01-15
<b>John Deere 2355N Tractor Technical Service Repair Manual ,1989-12-15</b>

**John Deere Shop Manual** John Deere, This individual Shop Manual is one unit of a series on agricultural wheel type tractors Contained in it are the necessary specifications and the brief but terse procedural data needed by a mechanic when repairing a tractor on which he has had no previous actual experience The material is arranged in a systematic order beginning with an index which is followed immediately by a Table of Condensed Service Specifications These specifications include dimensions fits clearances and timing instructions Next in order of arrangement is the procedures section In the procedures section the order of presentation starts with the front axle system and steering and proceeds toward the rear axle The last portion of the procedures section is devoted to the power take off and power lift systems Interspersed where needed in this section are additional tabular specifications pertaining to wear limits torquing etc

**John Deere 670 Compact Utility Tractor Technical Service Repair Manual** ,1999-03-15

**John Deere 2555 Tractor Technical Service Repair Manual** ,1989-11-15

## The Enigmatic Realm of **John Deere Gator Repair Manual**: Unleashing the Language is Inner Magic

In a fast-paced digital era where connections and knowledge intertwine, the enigmatic realm of language reveals its inherent magic. Its capacity to stir emotions, ignite contemplation, and catalyze profound transformations is nothing lacking extraordinary. Within the captivating pages of **John Deere Gator Repair Manual** a literary masterpiece penned by way of a renowned author, readers set about a transformative journey, unlocking the secrets and untapped potential embedded within each word. In this evaluation, we shall explore the book's core themes, assess its distinct writing style, and delve into its lasting impact on the hearts and minds of people who partake in its reading experience.

### **Table of Contents John Deere Gator Repair Manual**

1. Understanding the eBook John Deere Gator Repair Manual
  - The Rise of Digital Reading John Deere Gator Repair Manual
  - Advantages of eBooks Over Traditional Books
2. Identifying John Deere Gator Repair Manual
  - Exploring Different Genres
  - Considering Fiction vs. Non-Fiction
  - Determining Your Reading Goals
3. Choosing the Right eBook Platform
  - Popular eBook Platforms
  - Features to Look for in an John Deere Gator Repair Manual
  - User-Friendly Interface
4. Exploring eBook Recommendations from John Deere Gator Repair Manual
  - Personalized Recommendations
  - John Deere Gator Repair Manual User Reviews and Ratings
  - John Deere Gator Repair Manual and Bestseller Lists
5. Accessing John Deere Gator Repair Manual Free and Paid eBooks
  - John Deere Gator Repair Manual Public Domain eBooks
  - John Deere Gator Repair Manual eBook Subscription Services
  - John Deere Gator Repair Manual Budget-Friendly Options

6. Navigating John Deere Gator Repair Manual eBook Formats
  - ePub, PDF, MOBI, and More
  - John Deere Gator Repair Manual Compatibility with Devices
  - John Deere Gator Repair Manual Enhanced eBook Features
7. Enhancing Your Reading Experience
  - Adjustable Fonts and Text Sizes of John Deere Gator Repair Manual
  - Highlighting and Note-Taking John Deere Gator Repair Manual
  - Interactive Elements John Deere Gator Repair Manual
8. Staying Engaged with John Deere Gator Repair Manual
  - Joining Online Reading Communities
  - Participating in Virtual Book Clubs
  - Following Authors and Publishers John Deere Gator Repair Manual
9. Balancing eBooks and Physical Books John Deere Gator Repair Manual
  - Benefits of a Digital Library
  - Creating a Diverse Reading Collection John Deere Gator Repair Manual
10. Overcoming Reading Challenges
  - Dealing with Digital Eye Strain
  - Minimizing Distractions
  - Managing Screen Time
11. Cultivating a Reading Routine John Deere Gator Repair Manual
  - Setting Reading Goals John Deere Gator Repair Manual
  - Carving Out Dedicated Reading Time
12. Sourcing Reliable Information of John Deere Gator Repair Manual
  - Fact-Checking eBook Content of John Deere Gator Repair Manual
  - Distinguishing Credible Sources
13. Promoting Lifelong Learning
  - Utilizing eBooks for Skill Development
  - Exploring Educational eBooks
14. Embracing eBook Trends
  - Integration of Multimedia Elements

- Interactive and Gamified eBooks

## **John Deere Gator Repair Manual Introduction**

Free PDF Books and Manuals for Download: Unlocking Knowledge at Your Fingertips In today's fast-paced digital age, obtaining valuable knowledge has become easier than ever. Thanks to the internet, a vast array of books and manuals are now available for free download in PDF format. Whether you are a student, professional, or simply an avid reader, this treasure trove of downloadable resources offers a wealth of information, conveniently accessible anytime, anywhere. The advent of online libraries and platforms dedicated to sharing knowledge has revolutionized the way we consume information. No longer confined to physical libraries or bookstores, readers can now access an extensive collection of digital books and manuals with just a few clicks. These resources, available in PDF, Microsoft Word, and PowerPoint formats, cater to a wide range of interests, including literature, technology, science, history, and much more. One notable platform where you can explore and download free John Deere Gator Repair Manual PDF books and manuals is the internet's largest free library. Hosted online, this catalog compiles a vast assortment of documents, making it a veritable goldmine of knowledge. With its easy-to-use website interface and customizable PDF generator, this platform offers a user-friendly experience, allowing individuals to effortlessly navigate and access the information they seek. The availability of free PDF books and manuals on this platform demonstrates its commitment to democratizing education and empowering individuals with the tools needed to succeed in their chosen fields. It allows anyone, regardless of their background or financial limitations, to expand their horizons and gain insights from experts in various disciplines. One of the most significant advantages of downloading PDF books and manuals lies in their portability. Unlike physical copies, digital books can be stored and carried on a single device, such as a tablet or smartphone, saving valuable space and weight. This convenience makes it possible for readers to have their entire library at their fingertips, whether they are commuting, traveling, or simply enjoying a lazy afternoon at home. Additionally, digital files are easily searchable, enabling readers to locate specific information within seconds. With a few keystrokes, users can search for keywords, topics, or phrases, making research and finding relevant information a breeze. This efficiency saves time and effort, streamlining the learning process and allowing individuals to focus on extracting the information they need. Furthermore, the availability of free PDF books and manuals fosters a culture of continuous learning. By removing financial barriers, more people can access educational resources and pursue lifelong learning, contributing to personal growth and professional development. This democratization of knowledge promotes intellectual curiosity and empowers individuals to become lifelong learners, promoting progress and innovation in various fields. It is worth noting that while accessing free John Deere Gator Repair Manual PDF books and manuals is convenient and cost-effective, it is vital to respect copyright laws and intellectual property rights. Platforms offering free downloads often operate within legal

boundaries, ensuring that the materials they provide are either in the public domain or authorized for distribution. By adhering to copyright laws, users can enjoy the benefits of free access to knowledge while supporting the authors and publishers who make these resources available. In conclusion, the availability of John Deere Gator Repair Manual free PDF books and manuals for download has revolutionized the way we access and consume knowledge. With just a few clicks, individuals can explore a vast collection of resources across different disciplines, all free of charge. This accessibility empowers individuals to become lifelong learners, contributing to personal growth, professional development, and the advancement of society as a whole. So why not unlock a world of knowledge today? Start exploring the vast sea of free PDF books and manuals waiting to be discovered right at your fingertips.

### **FAQs About John Deere Gator Repair Manual Books**

How do I know which eBook platform is the best for me? Finding the best eBook platform depends on your reading preferences and device compatibility. Research different platforms, read user reviews, and explore their features before making a choice. Are free eBooks of good quality? Yes, many reputable platforms offer high-quality free eBooks, including classics and public domain works. However, make sure to verify the source to ensure the eBook credibility. Can I read eBooks without an eReader? Absolutely! Most eBook platforms offer web-based readers or mobile apps that allow you to read eBooks on your computer, tablet, or smartphone. How do I avoid digital eye strain while reading eBooks? To prevent digital eye strain, take regular breaks, adjust the font size and background color, and ensure proper lighting while reading eBooks. What the advantage of interactive eBooks? Interactive eBooks incorporate multimedia elements, quizzes, and activities, enhancing the reader engagement and providing a more immersive learning experience. John Deere Gator Repair Manual is one of the best book in our library for free trial. We provide copy of John Deere Gator Repair Manual in digital format, so the resources that you find are reliable. There are also many Ebooks of related with John Deere Gator Repair Manual. Where to download John Deere Gator Repair Manual online for free? Are you looking for John Deere Gator Repair Manual PDF? This is definitely going to save you time and cash in something you should think about.

### **Find John Deere Gator Repair Manual :**

*high pressure boilers answer key 5th edition*

**dark awakening the kategan alphas 2**

**transportation management guide**



[praxis 2 5038 study guide](#)

[cadworx manual](#)

[lg 55lv5500 manual](#)

[la tienda de los sueãfâ±os jeff bezos y la era de amazon](#)

**handbook of evidence based radiation oncology second edition**

[cleveland clinic pbds study guide](#)

[how to write a progress note or a soap note](#)

[core connections math practices](#)

**saxon math 7 6 student edition wordpress**

[jet and rocket series pistol wing](#)

**barbara marciniak**

[der sanitãfâ±tsdienst des heeres 1939 1945](#)

## **John Deere Gator Repair Manual :**

[what does adventus mean in latin wordhippo](#) - Sep 05 2022

web what does adventus mean in latin english translation arrival more meanings for adventus coming noun ventio arrival noun superventus accessa adcessus advenientia approach noun aditus accessus appropinquatio accessio incessus appearance noun apparentia species aspectus vultus visio advent adventus cowling adventus

[adventus wikipedia](#) - Dec 08 2022

web adventus is the latin word for arrival and may mean adventus ceremony the ceremony of an emperor s formal arrival at a city usually but not always rome adventus art the artistic convention of depicting this ceremony the latin word for the christian season of advent quintus antistius adventus roman governor of britain

**adventus latin meaning translation wordsense** - Jan 09 2023

web origin history i from adveniō arrive tus action noun forming suffix noun adventus genitive adventūs masc arrival approach origin history ii participle adventus masc fem adventa neut adventum having arrived derived words phrases adventō related words phrases adventor descendants aragonese abiento

[adventus in english latin english dictionary glosbe](#) - Jun 02 2022

web check adventus translations into english look through examples of adventus translation in sentences listen to pronunciation and learn grammar

**stage clc 31 distance learners** - Jun 14 2023

web latin literature courses latin literature courses overview latin literature poetry latin literature prose adventus page 42 a new day begins in rome a greek girl and her slave step off a boat into the mad hustle and bustle of the crowded city a poorly translated yet interesting description of the esquiline hill past and present

**adventum wiktionary the free dictionary** - May 01 2022

web sep 4 2023 latin noun adventum m accusative singular of adventus arrival approach participle adventum indeclinable perfect passive participle of adveniō verb adventum accusative supine of adveniō

**adventu latin meaning definition wordsense** - Aug 04 2022

web this is the meaning of adventus adventus latin origin history i from adveniō arrive tus action noun forming suffix noun adventus genitive adventūs masc arrival approach origin history ii participle adventus masc fem adventa neut adventum having arrived derived words phrases adventō related words

**latin stage 31 adventus pg 214 translation flashcards quizlet** - Aug 16 2023

web 1st paragraph as the day was growing bright a large crowd of roman citizens was filling the streets of the city the poor were exiting the apartment buildings to take out water from the public fountain the senators were being carried to the forum by means of sedan chairs

**google translate** - May 13 2023

web google s service offered free of charge instantly translates words phrases and web pages between english and over 100 other languages

**adventus wiktionary the free dictionary** - Mar 11 2023

web feb 3 2023 references adventus in charlton t lewis and charles short 1879 a latin dictionary oxford clarendon press adventus in charlton t lewis 1891 an elementary latin dictionary new york harper brothers adventus in charles du fresne du cange s glossarium mediæ et infimæ latinitatis augmented edition with additions by

**translate latin to english online translate com** - Jan 29 2022

web most popular phrases in latin to english communicate smoothly and use a free online translator to translate text words phrases or documents between 90 language pairs

**advent in latin english latin dictionary glosbe** - Mar 31 2022

web check advent translations into latin look through examples of advent translation in sentences listen to pronunciation and learn grammar

*latin 3 adventus translation pdf 2023 media daruma co* - Dec 28 2021

web according to all the passages it is found in so this translation tends to use a consistent translation of major words to continue to get the same sense from the old testament to the new to maybe understand what jesus and the apostles were

talking about this translation is not for the faint of heart or the deeply religious for it opens more

**cambridge latin unit 3 stage 31 adventus flashcards quizlet** - Apr 12 2023

web study with quizlet and memorize flashcards containing terms like advenire altus angustus and more

*the deeper meaning of advent in latin your bible verses daily* - Jul 03 2022

web dec 1 2021 the deeper meaning of advent in latin december 1 2021 5 min read advent from the latin adventus does not simply meaning coming or arrival there are at least two other latin words that could be translated this

latin 3 adventus translation help environment harvard edu - Oct 06 2022

web latin 3 adventus translation eventually you will totally discover a supplementary experience and triumph by spending more cash nevertheless when get you north american cambridge latin course unit 3 teacher s manual cambridge university press 2015 11 26 the world s bestselling introductory latin course developed by

*latin 3 adventus translation portal dlc ui edu* - Feb 27 2022

web latin 3 adventus translation is available in our digital library an online access to it is set as public so you can download it instantly our book servers saves in multiple countries allowing you to get the most less latency time to download any of our books like this one

latin 3 story translations flashcards quizlet - Feb 10 2023

web study with quizlet and memorize flashcards containing terms like 1 martial sings his own praises 2 coughing 3 the heroic conduct of arria and more

**the deeper meaning of advent in latin catholic exchange** - Nov 07 2022

web dec 1 2021 adventus is a form of the verb advenio which is defined not only as arrive come to but also as develop set in and arise adventus itself also refers to an invasion incursion ripening and appearance all denotations that are rich with implications for the gospel accounts of christ

adventus story translation flashcards quizlet - Jul 15 2023

web adventus story translation 5 0 4 reviews die illucescente ingens romanorum multitudo vias urbis complebat click the card to flip as the day was dawning a huge crowd of romans was filling the streets of the city click the card to flip 1 21 flashcards learn test match q chat created by magistravill teacher terms in this set 21

*yoga adjustments philosophy principles and techniques* - Aug 19 2023

web jun 3 2014 yoga adjustments philosophy principles and techniques the quintessential guide to yoga assisting and hands on teaching yoga adjustments introduces the art and practice of providing yoga assists to yoga students

**yoga adjustments philosophy principles and techni pdf** - Apr 03 2022

web apr 14 2023 right here we have countless book yoga adjustments philosophy principles and techni and collections to

check out we additionally meet the expense of variant types and next type of the books to browse the good enough book fiction history novel scientific research as without difficulty as various other sorts of books are readily

**yoga adjustments philosophy principles and techni download** - Mar 02 2022

web merely said the yoga adjustments philosophy principles and techni is universally compatible subsequently any devices to read yoga adjustments philosophy principles and techni 2022 11 08 doyle carlee universal yoga r amber allen publishing acclaimed yoga and meditation teacher sarah powers is known and loved for her unique

yoga adjustments philosophy principles and techniques - Jul 18 2023

web jun 3 2014 an invaluable resource for all yoga teachers teacher trainers and serious yoga students this book includes a foreword by yoga star shiva rea as well as over 850 unique instructional photos and explanatory captions demonstrating precise ways of guiding a variety of flowing sequences

yoga adjustments philosophy principles and techniques - Dec 11 2022

web jun 3 2014 addressing one of the most important topics in the yoga field expert yoga instructor and best selling author mark stephens covers the philosophy of yoga practice the sensibilities of touch in teaching yoga and improving alignment the seven principles of hands on yoga teaching and the twenty five most effective methods of tactile cueing

**yoga adjustments philoso yumpu** - Sep 08 2022

web jan 8 2020 yoga adjustments philosophy principles and techniques book detail paperback 416 pages publisher north atlantic books june 3 2014 language english isbn 10 1583947701 isbn 13 978 1583947708 product dimensions 8 x 0 9 x 10 inches shipping weight 2 2

**yoga adjustments philosophy principles and techni copy** - Dec 31 2021

web apr 10 2023 yoga adjustments philosophy principles and techni 1 11 downloaded from uniport edu ng on april 10 2023 by guest yoga adjustments philosophy principles and techni getting the books yoga adjustments philosophy principles and techni now is not type of challenging means you could not without help going gone book heap or

yoga adjustments philosophy principles and techniques - Apr 15 2023

web 4 36 241 ratings17 reviews the quintessential guide to yoga assisting and hands on teaching yoga adjustments introduces the art and practice of providing yoga assists to yoga students addressing one of the most important topics in the yoga field expert yoga instructor and best selling author mark stephens covers the philosophy of yoga

**yoga adjustments philosophy principles and techniques** - Jun 17 2023

web jun 3 2014 yoga adjustments philosophy principles and techniques mark stephens google books the quintessential guide to yoga assisting and hands on teaching yoga adjustments introduces

why traditional yoga adjustments should be a thing of the past - Jul 06 2022

web passive vs active range of motion let s chat in more scientific terms about why we should give traditional adjustments the boot starting with the relationship between the body s two types of ranges of motion first we have passive range of motion which is a range we achieve with the help of gravity or by pulling or pushing

[yogaadjustmentsphilosophyprinciplesandtechni pdf](#) - Aug 07 2022

web aug 2 2023 context for an open minded and evolutionary approach to yoga practice and then explains the core principles of the many branches of yoga a clear foundation is given for how the physical practices of yoga work to produce remarkable results of health and well being the chapter injury pain and healing

[yoga adjustments philosophy principles and techniques](#) - Feb 13 2023

web yoga adjustments philosophy principles and techniques ebook written by mark stephens read this book using google play books app on your pc android ios devices download for offline reading highlight bookmark or take notes while you read yoga adjustments philosophy principles and techniques

**ebook yoga adjustments philosophy principles and** - Jan 12 2023

web jan 8 2020 covers the philosophy of yoga practice the sensibilities of touch in teaching yoga and improving alignment the seven principles of hands on yoga teaching and the twenty five most effective methods of tactile cueing an invaluable resource for all yoga teachers teacher trainers and

[yoga adjustments philosophy principles and techni pdf](#) - Mar 14 2023

web yoga adjustments philosophy principles and techni first principles of philosophy dec 06 2020 this simple and informal approach to the study of philosophy offers a straightforward explanation and interpretation of the seven departments of philosophy metaphysics the nature of being and of god

**yoga adjustments philosophy principles and techni ann** - Jun 05 2022

web philosophy section maehle illuminates the yoga sutra using the major ancient commentaries as well as his own insights this volume makes the entire path of ashtanga yoga accessible to modern practitioners both practical guide and spiritual treatise ashtanga yoga is an excellent introduction to the eight limbs of yoga and an invaluable

[yoga adjustments philosophy principles and techni pdf](#) - Feb 01 2022

web philosophical insights and pragmatic imagery world class yoga instructor tias little turns the anatomy of the physical body into a tool for navigating the subtle body

[yoga adjustments philosophy principles and techniques scribd](#) - May 16 2023

web topics in the yoga field expert yoga instructor and best selling author mark stephens covers the philosophy of yoga practice the sensibilities of touch in teaching yoga and improving alignment the seven principles of hands on yoga teaching and the twenty five most effective methods of tactile cueing

**download yoga adjustments philosophy principles and** - Oct 09 2022

web addressing one of the most important topics in the yoga field expert yoga instructor and best selling author mark stephens covers the philosophy of yoga practice the sensibilities of touch in teaching yoga and improving alignment the seven principles of hands on

amazon com customer reviews yoga adjustments philosophy principles - Nov 10 2022

web i was quite excited to read mark stephens yoga adjustments philosophy principles and techniques to learn different techniques for giving tactile cues the detail and illustrations which highlight various tactile cues for over 100 asanas are clear and concise

**download pdf yoga adjustments philosophy principles** - May 04 2022

web jan 12 2023 you have to really to review the book yoga adjustments philosophy principles and techniques since you ll find bunches of lesson and experience from the by stephens mark paperback if you read

muscle strength testing physiopedia - Oct 05 2023

web performing manual muscle tests dynamometer distal strength can be semiquantitatively measured with a handgrip ergometer or with an inflated bp cuff functional testing often provides a better picture of the relationship between strength and disability as the patient clinical significance

*manual muscle test rehabmeasures database shirley ryan* - Mar 30 2023

web may 9 2020 there are three manual muscle tests grading systems 1 the medical research council scale 2 daniels and worthingham 3 kendall and mcreary number of items determined by the number of muscles being tested time to administer less than 1 minutes required training no training age ranges infant

category manual muscle testing physiopedia - Aug 03 2023

web manual muscle testing this category includes all pages on manual muscle testing and specifically manual muscle testing by muscle group resistance in manual muscle testing is always a concentric force provided by the therapist in the direction opposite to the contracting muscle or muscles

**manual muscle testing procedures for mmt8 testing** - Apr 30 2023

web manual muscle testing procedures for mmt8 testing june 18 2007 muscle groups in the mmt8 and positions to test deltoid position of patient with the patient sitting the elbow should be flexed to indicate the neutral position of rotation position of therapist the therapist should stand at test side of patient

**manual muscle testing mmt university of kansas medical center** - Jul 02 2023

web manual muscle testing mmt manual muscle testing 16 muscle groups motions will be tested not individual muscles 14 of these are tested bilaterally grading will be based on the isometric break test

muscle grading and testing procedures national institute of - Sep 04 2023

web manual muscle testing procedures modified from 1993 florence p kendall author grants permission to reproduce this chart preferred testing order of muscle groups this table provides a preferred order to the testing of muscle groups for manual muscle testing

**principles of manual muscle testing mcgraw hill education** - Jun 01 2023

web manual muscle testing is a procedure for the evaluation of the function and strength of individual muscles and muscle groups based on the effective performance of a movement in relation to the forces of gravity and manual resistance 2