



1 - Cross head screw / Torx screw, 4 Nm

2 - Brake disc

- Ventilated, \varnothing 268 mm
- Thickness: 25 mm
- Wear limit: 22 mm.
- Always renew on both sides of an axle.
- Remove brake caliper and brake carrier prior to removing.

3 - Brake pads

- Thickness: 14 mm not including backplate.
- With break pad wear indicator.
- When wear reaches a predetermined limit (approx. 4 mm) the warning lamp in the dash panel insert comes on.
- Wear limit: 2 mm not including backplate.
- Check thickness = Maintenance ; Booklet 18.1 .
- Always renew on both sides of an axle.
- Removing and installing = [page 62](#) .

4 - Retaining spring

- Insert into both holes in brake caliper.

5 - Brake carrier

- Bolt to wheel bearing housing.

6 - Brake caliper

- Do not disconnect brake hose when changing pads.
- Removing and installing = [page 65](#) .
- Repairing = [page 109](#)

7 - Guide pin, 30 Nm

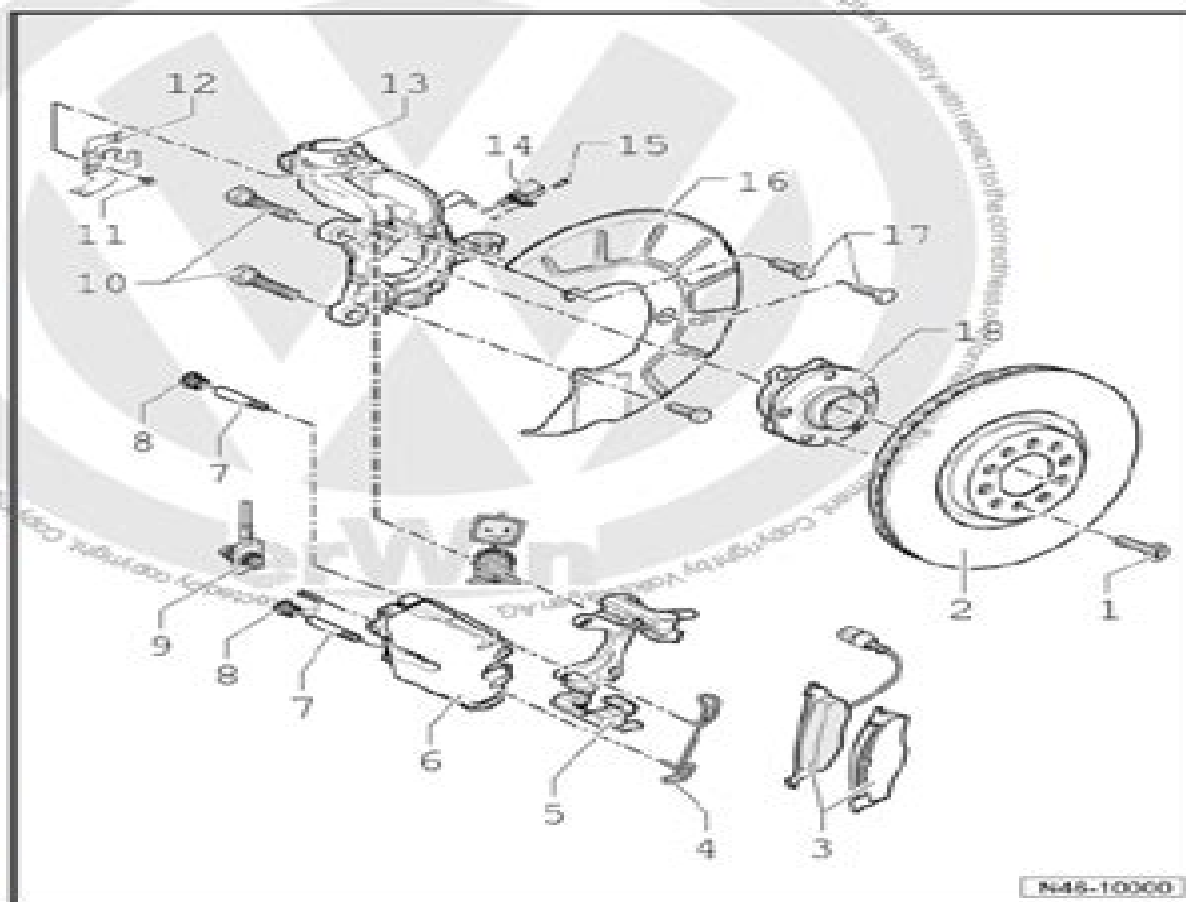
8 - Cover cap

- Remove

9 - Brake hose with banjo union and banjo bolt, 35 Nm

10 - Ribbed bolt, 190 Nm

- Clean if reused.



2007 Volkswagen Eos Repair Manual

Bentley Publishers



2007 Volkswagen Eos Repair Manual
2013 Volkswagen EOS Owner Manual Compatible with OEM Owners Manual, Factory Glovebox Book Helming,2013-03-08
Volkswagen Jetta Service Manual Bentley Publishers,2009 Provides service and repair information for the fifth generation also known as the A5 platform Volkswagen Jetta Provided by publisher
2010 Volkswagen EOS VW Owner Manual Compatible with OEM Owners Manual, Factory Glovebox Book Helming,2010-06-05
2011 Volkswagen EOS Owner Manual Compatible with OEM Owners Manual, Factory Glovebox Book Helming,2011-02-25
2016 Volkswagen EOS Owner Manual Compatible with OEM Owners Manual, Factory Glovebox Book Helming,2016-03-26
2008 Volkswagen EOS Owner Manual Compatible with OEM Owners Manual, Factory Glovebox Book Helming,2008-05-10
2011 Volkswagen EOS Owner Manual Compatible with OEM Owners Manual, Factory Glovebox Book Helming,2012-10-07
2015 Volkswagen EOS Owner Manual Compatible with OEM Owners Manual, Factory Glovebox Book Helming,2015-03-07
2014 Volkswagen EOS Owner Manual Compatible with OEM Owners Manual, Factory Glovebox Book Helming,2014-07-12
2010 Volkswagen Jetta Owner Manual Compatible with OEM Owners Manual, Factory Glovebox Book Helming,2010-03-22
Volkswagon Polo. A. K. Legg,1996
Volkswagen Repair Manual Type 32/33 Dasher ,1978
VW Owners Workshop Manual Ian Coomber,John Harold Haynes,A. K. Legg,1989
Volkswagen repair manual, type 2, 1978 ,

Volkswagen Workshop Manual Types 11, 14, and 15: 1952-1957 Volkswagen of America, 1998-01-01 Now available after being out of print for nearly 40 years a vintage reprint of original air cooled Volkswagen repair information for all Volkswagen Type I Beetle and Karmann Ghia models sold in the USA and Canada This historical archive edition covers procedures for routine maintenance troubleshooting repair and rebuilding Air cooled Volkswagens Type 11 14 15 covered Volkswagen Type 11 Beetle Sedan Volkswagen Type 14 Karmann Ghia Coupe Volkswagen Type 15 Beetle Convertible Engines covered in this Volkswagen repair manual Volkswagen Air cooled Type 1 upright engine 1131cc 25hp Volkswagen Air cooled Type 1 upright engine 1192cc 36hp from January 1954 Volkswagen Air cooled Type 1 upright engine 1192cc 36hp from August 1955 Transmissions covered in this Volkswagen repair manual Volkswagen Standard with non synchronized crash box transmission Volkswagen De Luxe with 2nd 3rd and 4th gear synchronized transmission Technical highlights Engine and cylinder head service repair and reconditioning including bench testing procedures and specifications for 25hp and 36hp motors Solex 28 PCI carburetor and Solex fuel pump troubleshooting rebuilding and adjustment Transmission removal rebuilding and adjustment including special needle bearings on synchromesh transmissions Frame floor and body panel repair All measurements and detailed cutting alignment and welding instructions Painting preparation and procedures Body repair and replacement procedures including the sliding fabric sunroof and convertible top Complete wiring diagrams All factory changes and updates are noted in the text by manufacturing date chassis number engine number and part number Full explanations of the operation of all systems with exploded views cutaways and diagrams Required workshop equipment tools and equipment for local manufacture listings Troubleshooting tables for clutch carburetor fuel pump steering brakes generator starter and wipers Maintenance and lubrication charts and procedures

Volkswagen Golf and Jetta ('84 to '92) Service and Repair Manual Ian Coomber, 1996-04-01

Volkswagen New Beetle Bentley Publishers, 2007 Service to Volkswagen owners is of top priority to the Volkswagen organization and has always included the continuing development and introduction of new and expanded services Whether you re a professional or a do it yourself Volkswagen owner this manual will help you understand care for and repair your Volkswagen Volkswagen New Beetle Although the do it yourself Volkswagen owner will find this manual indispensable as a source of theory of operation and step by step maintenance and repair information the Volkswagen owner who has no intention of working on his or her car will find that reading and owning this manual will make it possible to discuss repairs more intelligently with a professional technician Engines covered 1 8L turbo gasoline engine code APH AWV AWP BKF BNU 1 9L TDI diesel engine code ALH BEW 2 0L gasoline engine code AEG AVH AZG BDC BEV BGD 2 5L gasoline engine code BPR BPS Transmissions covered 02J 5 speed manual 02M 5 and 6 speed manual 0A4 5 speed manual 01M 4 speed automatic 09G 6 speed automatic 02E 6 speed direct shift gearbox DSG

Volkswagen Vanagon ,1991 Bentley Publishers is the exclusive factory authorized publisher of Volkswagen Service Manuals in the United States and Canada In every manual we provide full factory repair procedures specifications tolerances electrical wiring diagrams and lubrication and maintenance information Bentley manuals are the only complete authoritative source of Volkswagen maintenance and repair information Even if you never intend to service your car yourself you ll find that owning a Bentley Manual will help you to discuss repairs more intelligently with your service technician

Chilton's Volkswagen Golf/Jetta 1999-05 Repair Manual Jay Storer, 2008 Covers U S and Canadian models of Volkswagen Golf GTI and Jetta 1 8L and 2 0L gasoline engines and 1 9L diesel engine

VW Owners Workshop Manual Andrew K. Legg, 1982

Yeah, reviewing a ebook **2007 Volkswagen Eos Repair Manual** could add your near connections listings. This is just one of the solutions for you to be successful. As understood, endowment does not recommend that you have fabulous points.

Comprehending as competently as concord even more than additional will manage to pay for each success. bordering to, the revelation as competently as perception of this 2007 Volkswagen Eos Repair Manual can be taken as capably as picked to act.

Table of Contents 2007 Volkswagen Eos Repair Manual

1. Understanding the eBook 2007 Volkswagen Eos Repair Manual
 - The Rise of Digital Reading 2007 Volkswagen Eos Repair Manual
 - Advantages of eBooks Over Traditional Books
2. Identifying 2007 Volkswagen Eos Repair Manual
 - Exploring Different Genres
 - Considering Fiction vs. Non-Fiction
 - Determining Your Reading Goals
3. Choosing the Right eBook Platform
 - Popular eBook Platforms
 - Features to Look for in an 2007 Volkswagen Eos Repair Manual
 - User-Friendly Interface
4. Exploring eBook Recommendations from 2007 Volkswagen Eos Repair Manual
 - Personalized Recommendations
 - 2007 Volkswagen Eos Repair Manual User Reviews and Ratings
 - 2007 Volkswagen Eos Repair Manual and Bestseller Lists
5. Accessing 2007 Volkswagen Eos Repair Manual Free and Paid eBooks
 - 2007 Volkswagen Eos Repair Manual Public Domain eBooks
 - 2007 Volkswagen Eos Repair Manual eBook Subscription Services
 - 2007 Volkswagen Eos Repair Manual Budget-Friendly Options
6. Navigating 2007 Volkswagen Eos Repair Manual eBook Formats
 - ePub, PDF, MOBI, and More

- 2007 Volkswagen Eos Repair Manual Compatibility with Devices
- 2007 Volkswagen Eos Repair Manual Enhanced eBook Features
- 7. Enhancing Your Reading Experience
 - Adjustable Fonts and Text Sizes of 2007 Volkswagen Eos Repair Manual
 - Highlighting and Note-Taking 2007 Volkswagen Eos Repair Manual
 - Interactive Elements 2007 Volkswagen Eos Repair Manual
- 8. Staying Engaged with 2007 Volkswagen Eos Repair Manual
 - Joining Online Reading Communities
 - Participating in Virtual Book Clubs
 - Following Authors and Publishers 2007 Volkswagen Eos Repair Manual
- 9. Balancing eBooks and Physical Books 2007 Volkswagen Eos Repair Manual
 - Benefits of a Digital Library
 - Creating a Diverse Reading Collection 2007 Volkswagen Eos Repair Manual
- 10. Overcoming Reading Challenges
 - Dealing with Digital Eye Strain
 - Minimizing Distractions
 - Managing Screen Time
- 11. Cultivating a Reading Routine 2007 Volkswagen Eos Repair Manual
 - Setting Reading Goals 2007 Volkswagen Eos Repair Manual
 - Carving Out Dedicated Reading Time
- 12. Sourcing Reliable Information of 2007 Volkswagen Eos Repair Manual
 - Fact-Checking eBook Content of 2007 Volkswagen Eos Repair Manual
 - Distinguishing Credible Sources
- 13. Promoting Lifelong Learning
 - Utilizing eBooks for Skill Development
 - Exploring Educational eBooks
- 14. Embracing eBook Trends
 - Integration of Multimedia Elements
 - Interactive and Gamified eBooks

2007 Volkswagen Eos Repair Manual Introduction

In today's digital age, the availability of 2007 Volkswagen Eos Repair Manual books and manuals for download has revolutionized the way we access information. Gone are the days of physically flipping through pages and carrying heavy textbooks or manuals. With just a few clicks, we can now access a wealth of knowledge from the comfort of our own homes or on the go. This article will explore the advantages of 2007 Volkswagen Eos Repair Manual books and manuals for download, along with some popular platforms that offer these resources. One of the significant advantages of 2007 Volkswagen Eos Repair Manual books and manuals for download is the cost-saving aspect. Traditional books and manuals can be costly, especially if you need to purchase several of them for educational or professional purposes. By accessing 2007 Volkswagen Eos Repair Manual versions, you eliminate the need to spend money on physical copies. This not only saves you money but also reduces the environmental impact associated with book production and transportation. Furthermore, 2007 Volkswagen Eos Repair Manual books and manuals for download are incredibly convenient. With just a computer or smartphone and an internet connection, you can access a vast library of resources on any subject imaginable. Whether you're a student looking for textbooks, a professional seeking industry-specific manuals, or someone interested in self-improvement, these digital resources provide an efficient and accessible means of acquiring knowledge. Moreover, PDF books and manuals offer a range of benefits compared to other digital formats. PDF files are designed to retain their formatting regardless of the device used to open them. This ensures that the content appears exactly as intended by the author, with no loss of formatting or missing graphics. Additionally, PDF files can be easily annotated, bookmarked, and searched for specific terms, making them highly practical for studying or referencing. When it comes to accessing 2007 Volkswagen Eos Repair Manual books and manuals, several platforms offer an extensive collection of resources. One such platform is Project Gutenberg, a nonprofit organization that provides over 60,000 free eBooks. These books are primarily in the public domain, meaning they can be freely distributed and downloaded. Project Gutenberg offers a wide range of classic literature, making it an excellent resource for literature enthusiasts. Another popular platform for 2007 Volkswagen Eos Repair Manual books and manuals is Open Library. Open Library is an initiative of the Internet Archive, a non-profit organization dedicated to digitizing cultural artifacts and making them accessible to the public. Open Library hosts millions of books, including both public domain works and contemporary titles. It also allows users to borrow digital copies of certain books for a limited period, similar to a library lending system. Additionally, many universities and educational institutions have their own digital libraries that provide free access to PDF books and manuals. These libraries often offer academic texts, research papers, and technical manuals, making them invaluable resources for students and researchers. Some notable examples include MIT OpenCourseWare, which offers free access to course materials from the Massachusetts Institute of Technology, and the Digital Public Library of America, which provides a vast collection of digitized books and historical documents. In conclusion, 2007 Volkswagen Eos

Repair Manual books and manuals for download have transformed the way we access information. They provide a cost-effective and convenient means of acquiring knowledge, offering the ability to access a vast library of resources at our fingertips. With platforms like Project Gutenberg, Open Library, and various digital libraries offered by educational institutions, we have access to an ever-expanding collection of books and manuals. Whether for educational, professional, or personal purposes, these digital resources serve as valuable tools for continuous learning and self-improvement. So why not take advantage of the vast world of 2007 Volkswagen Eos Repair Manual books and manuals for download and embark on your journey of knowledge?

FAQs About 2007 Volkswagen Eos Repair Manual Books

1. Where can I buy 2007 Volkswagen Eos Repair Manual books? Bookstores: Physical bookstores like Barnes & Noble, Waterstones, and independent local stores. Online Retailers: Amazon, Book Depository, and various online bookstores offer a wide range of books in physical and digital formats.
2. What are the different book formats available? Hardcover: Sturdy and durable, usually more expensive. Paperback: Cheaper, lighter, and more portable than hardcovers. E-books: Digital books available for e-readers like Kindle or software like Apple Books, Kindle, and Google Play Books.
3. How do I choose a 2007 Volkswagen Eos Repair Manual book to read? Genres: Consider the genre you enjoy (fiction, non-fiction, mystery, sci-fi, etc.). Recommendations: Ask friends, join book clubs, or explore online reviews and recommendations. Author: If you like a particular author, you might enjoy more of their work.
4. How do I take care of 2007 Volkswagen Eos Repair Manual books? Storage: Keep them away from direct sunlight and in a dry environment. Handling: Avoid folding pages, use bookmarks, and handle them with clean hands. Cleaning: Gently dust the covers and pages occasionally.
5. Can I borrow books without buying them? Public Libraries: Local libraries offer a wide range of books for borrowing. Book Swaps: Community book exchanges or online platforms where people exchange books.
6. How can I track my reading progress or manage my book collection? Book Tracking Apps: Goodreads, LibraryThing, and Book Catalogue are popular apps for tracking your reading progress and managing book collections. Spreadsheets: You can create your own spreadsheet to track books read, ratings, and other details.
7. What are 2007 Volkswagen Eos Repair Manual audiobooks, and where can I find them? Audiobooks: Audio recordings of books, perfect for listening while commuting or multitasking. Platforms: Audible, LibriVox, and Google Play Books

- offer a wide selection of audiobooks.
8. How do I support authors or the book industry? Buy Books: Purchase books from authors or independent bookstores. Reviews: Leave reviews on platforms like Goodreads or Amazon. Promotion: Share your favorite books on social media or recommend them to friends.
 9. Are there book clubs or reading communities I can join? Local Clubs: Check for local book clubs in libraries or community centers. Online Communities: Platforms like Goodreads have virtual book clubs and discussion groups.
 10. Can I read 2007 Volkswagen Eos Repair Manual books for free? Public Domain Books: Many classic books are available for free as they're in the public domain. Free E-books: Some websites offer free e-books legally, like Project Gutenberg or Open Library.

Find 2007 Volkswagen Eos Repair Manual :

~~wordly wise book 10 answer key~~

~~magnetism gizmo answer key~~

~~redaccion comercial carmen sanchez reyes~~

~~case 1840 uni loader service manual~~

~~simulation luyben solution manual~~

~~advanced economic theory microeconomic analysis by h l ahuja~~

study guide for every good endeavor

~~alex rider crocodile tears book~~

~~saladin anatomy and physiology 7th edition~~

~~principles of environmental science william p cunningham~~

semiconductor gas sensors (woodhead publishing

~~eaton industrial hydraulics manual answer~~

clash royale gemas gratis generador real actualizado

~~mcgraw hill connect biology2 quiz answers~~

civilities and civil rights

2007 Volkswagen Eos Repair Manual :

f1 bpp study text acca globalbox - Aug 14 2023

paper fab f1 accountant in business ab fab is a 2 hour paper it could be taken as a written paper or a computer based exam the questions within the computer based exam are objective test questions or different multiple task questions multi response multi choice multi response matching number entry see more

acca f1 notes bpp study text accountant in - Jul 13 2023

web acca f1 notes bpp 2014 study text acca f4 corp and business law eng study text 2013 jun 14 2021 this examiner reviewed f4 eng study text takes the reader

study material acca paper f1 p7 economic grapevine - Jan 27 2022

acca 2015 bpp f1 study text pdf 11 12 mb pdf room - May 11 2023

web dec 27 2020 i have uploaded bpp and kaplan latest studying material for all acca papers f1 p7 which you can download for free acca study texts exam kits cash

f1 bpp business and technology bt study - Oct 04 2022

web dec 27 2020 in this post i m going to share acca study material for paper accountant in business f1 to advanced audit assurance aaa him can free transfer acca books

acca f1 notes bpp 2014 study text download only - Jun 12 2023

web this interactive text provides the only study material for fia fab accountant in business and acca paper f1 accountant in business which has been comprehensively reviewed

acca f7 bpp study text opentuition - Oct 24 2021

pdf f1 study text ia kakichashvili academia edu - Mar 09 2023

web the fa1 syllabus recording financial transactions presents the candidate with the basics preparation and recording of financial transactions and processing of ledger documents

f1 bpp study text archives acca study material - Dec 26 2021

f4 bpp study text global acca globalbox - Nov 24 2021

all acca study material for papers f1 p7 free - Mar 29 2022

web effectiveness and communications professional ethics within the commercial enterprise environment recommended approach to be succeeded in this exam you must need to

bpp acca f1 study text 2014 godunderstands americanbible - Apr 29 2022

web jan 29 2016 i have the bpp study text for f7 which says for exams upto june 2015 can i please know if its alright to use the same text for march 2016 january 29 2016 at 8 35

fa1 bpp study text acca globalbox - Sep 03 2022

web the acca f1 business and technology is the start of your journey to become a qualified acca accountant it comprises six main areas which include the business

f1 bpp study text 2020 by - Dec 06 2022

web the examiner reviewed f1 study text covers all the relevant acca f1 syllabus topics it explores the principles of accountant in business and how they can be applied in a

f1 acca bpp book economic grapevine - Feb 08 2023

web bpp provides great sources of studying and provide techniques in business environments there are many types of questions there but the key question you should be able to

acca f1 accountant in business study text bpp - Jul 01 2022

web acca p1 governance risk and ethics 34 acca p2 corporate reporting uk or international 42 acca p3 business analysis 38 acca p4 advanced financial

all study texts f1 to p7 bpp acca globalbox - Aug 02 2022

web jun 27 2023 in this post i m going to share acca study material for paper accountant in business f1 to advanced audit assurance aaa you can free download acca books

download solutions bpp acca f1 study text 2014 - Nov 05 2022

web acca skills f4 corporate and business law global study text 2014 bpp learning media 2014 06 01 the examining team reviewed f4 study text covers all the relevant

all acca study material for papers f1 p7 free - Apr 10 2023

web bpp acca f1 study text 2014 fia foundations of accountant in business fab acca f1 feb 01 2023 foundations in accountancy fia awards are entry level core skill

f1 bt kaplan study text acca globalbox - Sep 22 2021

acca f1 fab accountant in business bpp study text 2013 - May 31 2022

web 1 what f4 corporate and business law cl lw is about the main aims of the f4 corporate and business law cl lw exam are to improve information and capabilities

bpp acca fundamental level f1 f9 finance - Jan 07 2023

web 10 05 2011 05 47 the acca f1 study text is split into six parts in line with the syllabus structure the examiner has

commented that the study text is well structured and
f1 bt study text bpp amaterialhub com - Feb 25 2022

junior encyclopedia of animated characters refresh - Nov 12 2022

junior encyclopedia of animated characters refresh hardcover june 9 2020 by disney books author 4 8 313 ratings see all formats and editions hardcover 18 77 3 used from 18 77 from ariel to zazu this jacketed hardcover guide features fun facts tricky trivia and cool quotes about more than 150 disney heroes and villains

disney junior encyclopedia of animated characters includes characters - Dec 13 2022

jul 21 2009 buy disney junior encyclopedia of animated characters includes characters from your favorite disney pixar films by dunham m l bergen lara isbn 9781423116707 from amazon s book store free uk delivery on eligible orders

junior encyclopedia of animated characters disney books disney - Sep 22 2023

jun 3 2014 the book has 143 pages of different disney characters from both disney and pixar movies including belle the beast lightning mcqueen anna elsa rapunzel dumbo bambi ariel buzz lightyear simba donald duck peter pan nemo and jiminy cricket to name a few

junior encyclopedia of animated characters goodreads - Aug 09 2022

jun 3 2014 walter elias walt disney december 5 1901 december 15 1966 was an american film producer director screenwriter voice actor animator entrepreneur entertainer international icon and philanthropist disney is famous for his influence in the field of entertainment during the 20th century

disney junior encyclopedia of animated characters comic vine - Feb 03 2022

jul 10 2020 disney junior encyclopedia of animated characters volume comic vine disney junior encyclopedia of animated characters 1 issues volume published by disney started in 2020 disney

disney junior encyclopedia of animated characters hardcover - Jun 07 2022

disney junior encyclopedia of animated characters hardcover 1 962 ratings 4 5 on goodreads 139 ratings see all formats and editions

disney junior encyclopedia of animated characters including characters - Aug 21 2023

jul 21 2009 disney junior encyclopedia of animated characters including characters from your favorite disney pixar films disney books dunham m l bergen lara disney storybook art team on amazon com free shipping on qualifying offers

disney s junior encyclopedia of animated characters google - Jul 08 2022

apr 19 2004 disney s junior encyclopedia of animated characters including characters from your favorite disney pixar films m l dunham disney press apr 19 2004 juvenile nonfiction 192

disney junior encyclopedia of animated characters including - Sep 10 2022

this fun and comprehensive book contains information on characters from more than 70 years of disney animated films from 1928 s steamboat willie to 2003 s finding nemo

category disney junior characters disney wiki fandom - Mar 04 2022

characters who appear in disney junior shows and movies trending pages mickey mouse ursula ariel sebastian rapunzel snow white tinkerbelle cheshire cat all items 1171 a b c d e f g h i j k l m n o p q r s t

junior encyclopedia of animated characters refresh - May 18 2023

jun 9 2020 from ariel to zazu this jacketed hardcover guide features fun facts tricky trivia and cool quotes about more than 150 disney heroes and villains readers will also learn about the stars of the latest disney and disney pixar films such as frozen ii toy story 4 moana onward and more

disney junior encyclopedia of animated characters hardcover - Mar 16 2023

disney junior encyclopedia of animated characters hardcover picture book 1 february 2021 don't miss out on this revised and updated guide to favourite disney and pixar characters each page features fun facts tricky trivia and cool quotes about disney heroes and villains from aladdin to zazu

junior encyclopedia of animated characters hardcover - Jan 14 2023

jun 28 2023 junior encyclopedia of animated characters hardcover 28 jun 2023 by disney books author 4 8 299 ratings see all formats and editions hardcover from ariel to zazu this jacketed hardcover guide features fun facts tricky trivia and cool quotes about more than 150 disney heroes and villains

junior encyclopedia of animated characters ciltli kapak - May 06 2022

junior encyclopedia of animated characters disney book group amazon com tr kitap

junior encyclopedia of animated characters refresh by disney - Jun 19 2023

jun 9 2020 from ariel to zazu this jacketed hardcover guide features fun facts tricky trivia and cool quotes about more than 150 disney heroes and villains readers will also learn about the stars of the latest disney and disney pixar films such as frozen ii toy story 4 moana onward and more

junior encyclopedia of animated characters hardcover - Apr 17 2023

from ariel to zurg this jacketed hardcover guide features fun facts tricky trivia and cool quotes about over 150 disney heroes and villains readers will also learn about the stars of the latest disney and disney pixar films like wreck it ralph frozen the good dinosaur and more

disney junior encyclopedia of animated characters google books - Oct 11 2022

jul 21 2009 m l dunham lara bergen baker taylor cats jul 21 2009 animated films 192 pages provides pictures and

information about many of the major disney characters ranging from abu to

[junior encyclopedia of animated characters refresh disney](#) - Apr 05 2022

junior encyclopedia of animated characters refresh disney books amazon com tr kitap

[disney s junior encyclopedia of animated characters including](#) - Jul 20 2023

may 1 2004 disney s junior encyclopedia of animated characters including characters from your favorite disney pixar films

disney books dunham m l disney storybook art team on amazon com free shipping on qualifying offers

[disney junior encyclopedia of animated characters includes characters](#) - Feb 15 2023

jul 21 2009 disney junior encyclopedia of animated characters includes characters from your favorite disney pixar films

dunham m l bergen lara 9781423116707 books amazon ca

[deep learning for the design of photonic structures](#) - Dec 07 2022

web oct 5 2020 on this path the photonics community should ultimately build an optical structures and materials genome to construct a comprehensive dataset of photonic concepts architectures components

optical properties of planar metallic photonic crystal structures - Aug 03 2022

web sep 28 2004 the appearance of grating anomalies which critically depend on the substrate thickness provides evidence that the optical response of these planar metallic photonic crystal structures can be strongly modified

[photonic structures luminescence spectroscopy of](#) - Dec 27 2021

web abstract photonic structures i e periodically ordered patterns with a period of the order of the light wavelength affect strongly luminescence properties of embedded nano phosphors photonic crystals exhibit either a full

study of structural optical properties and electronic structure of - Apr 30 2022

web jan 1 2018 the molar extinction coefficient ϵ which is also known as the molar absorptivity and molar attenuation

coefficient is an intrinsic property of the species the ϵ can be given depends on the beer lamber law $40\ 1\ \epsilon\ abs\ cl$ where abs is the absorbance c is the concentration of a solution sample and l is the path length of the

[optical properties of photonic structures series in optics and](#) - May 12 2023

web find the latest published papers in optical properties of photonic structures series in optics and optoelectronics top authors related hot topics the most cited papers and related journals sciencegate

[finding the optical properties of plasmonic structures by image](#) - Mar 30 2022

web jun 17 2019 microsystems nanoengineering neural networks can accurately predict the optical properties of plasmonic structures engineered nanostructures with unique and interesting optical properties

[optical properties of periodic quasi periodic and disordered one](#) - Apr 11 2023

web oct 1 2017 photonic structures can be grouped in three sets depending on their crystallographic properties i a periodic

spatial modulation of the dielectric constant gives rise to a photonic crystal 1 2 3 4 5 6 7 8 9 a modulation of the dielectric constant that follows a deterministic generation rule results in a photonic quas

[optical properties of photonic structures google books](#) - Jun 13 2023

web apr 19 2016 optical properties of photonic structures interplay of order and disorder series in optics and optoelectronics editors mikhail f limonov richard de la rue edition illustrated

optical property an overview sciencedirect topics - Jan 28 2022

web the optical appearance properties of a polymer e g its clarity gloss dullness or turbidity have no direct correlation with its chemical structure they are largely determined by physical factors

optical properties of chiral three dimensional photonic crystals - Feb 09 2023

web apr 21 2023 optical properties of chiral three dimensional photonic crystals we perform a theoretical and numerical study of the optical properties of both direct and inverse three dimensional 3d chiral woodpile structures and a corresponding chiral bragg stack also known as a reusch pile

optical properties of photonic structures interplay of order and dis - Aug 15 2023

web jun 22 2012 abstract the collection of articles in this book offers a penetrating shaft into the still burgeoning subject of light propagation and localization in photonic crystals and disordered media while the subject has its origins in physics it has broad significance and applicability in disciplines such as engineering chemistry mathematics and

[optical properties of 2d photonic structures fabricated by direct](#) - Nov 06 2022

web sep 13 2019 abstract this paper presents the results of fabrication and investigation of different 2d photonic structures with the square c 4v hexagonal c 6v and pentagonal local c 5v a 8 0 μm our experimental and theoretical studies demonstrate that 2d photonic structures reveal many remarkable optical effects created ordered and

[optical properties of photonic structures routledge](#) - Jul 14 2023

web one of the first books specifically focused on disorder in photonic structures optical properties of photonic structures interplay of order and disorder explores how both order and disorder provide the key to the different regimes of light transport and to the systematic localization and trapping of light

photonic materials from fundamentals to applications - Jan 08 2023

web apr 1 2022 photonic structures offer interesting applications in optical sensing where the reflected or emitted colour of light indicates the information of the environment such as refractive index temperature and ph value

optical properties of periodic quasi periodic and disordered one - Mar 10 2023

web oct 1 2017 photonic structures can be grouped in three sets depending on their crystallographic properties i a periodic spatial modulation of the dielectric constant gives rise to a photonic crystal 1 2 3 4 5 6 7 8 9 a modulation of the dielectric

constant that follows a deterministic generation rule results in a photonic
optical properties of three dimensional photonic - Jul 02 2022

web apr 1 2015 it is believed that the optical properties of photonic crystals can directly determine the quality of the
resulting structural colors therefore it is significant to study the optical properties of photonic crystals on the textiles
study of structural optical properties and electronic structure of - Feb 26 2022

web jan 1 2018 as far as we are aware there have been no reports about the structural electronic spectroscopic and
optical properties of n n dipentyl 3 4 9 10 perylenedicarboximide ptdi c5 small molecule using quantum chemical
calculations

optical properties of photonic structures interplay of order and - Sep 04 2022

web apr 19 2016 one of the first books specifically focused on disorder in photonic structures optical properties of photonic
structures interplay of order and disorder explores how both order and disorder provide the key to the different regimes of
light transport and to the systematic localization and trapping of light collecting contributions

optical properties of woodpile structures for application on the - Jun 01 2022

web dec 15 2018 photonic crystal structure 3d laser lithography light emitting diode 1 introduction the periodic dielectric
structures known as photonic crystals phcs accelerated the development of the micro and nano optoelectronics

numerical simulation of optical properties of photonic crystals - Oct 05 2022

web jul 5 2022 optical characteristics photonic band gaps pbgs of inverted photonic crystals pcs of ethoxylate
trimethylolpropane triacrylate etpta are theoretically analyzed calculated characteristics are compared with experimental
data